

FLIGHT CONTROL PARKING LOCK ASSEMBLY & PARTS, R-670,PT-17,N2S-4 & R-680,PT-13,N2S-5

Figure 72

Index

No.	Part No.	Description	Cond.
19	AG75-3677	Rod assy-parking lock control	FAA-PMA
19	AG75-3677-2	Rod-parking lock control, less bearings	FAA-PMA
20	REB-3N	Rod end bearing-AG75-3677-2 rod, 2 required	F/N
	Attach hdw.	2 ea. AN316-4, 1 ea. AN3-15, 1 ea. AN3-14, 2 ea. AN310-3, 2 ea. AN960-10, 2 ea. AN380-2-2	F/N
21	75-3711-2	Strap-flying hoop retracting cord, 2 required	N-S
22	75-3687	Spacer-special bolt	N-S
23	75-3686	Spring, parking lock	N-P
	Attach hdw.	1 ea. AN23-9, 1 ea. AN320-3, 1 ea. AN380-2-2	F/N
24	S-253-12	Spacer-3/16" bolt	N-P
25	S-110-51	Clamp- 1-1/4" dia. tube	N-P
	Attach hdw.	1 ea. AN960-10, AN3-20, 1 ea. AN310-3	F/N
26	75-3670	Catch assy-rudder parking lock	N-P
	Attach hdw.	1 ea. AN3-12, 1 ea. AN310-3, 1 ea. AN380-2-2	F/N
	75-3737	Placard & bracket assy-flight control park lock front	N-P
	75-3672-2	Placard & bracket assy-flight control park lock rear	N-P
	75-3746	Placard only-flight control lock instr.	N-P

STATIC GROUND INSTALLATION, R-670, PT-17, N2S-4 & R-680, PT-13, N2S-5

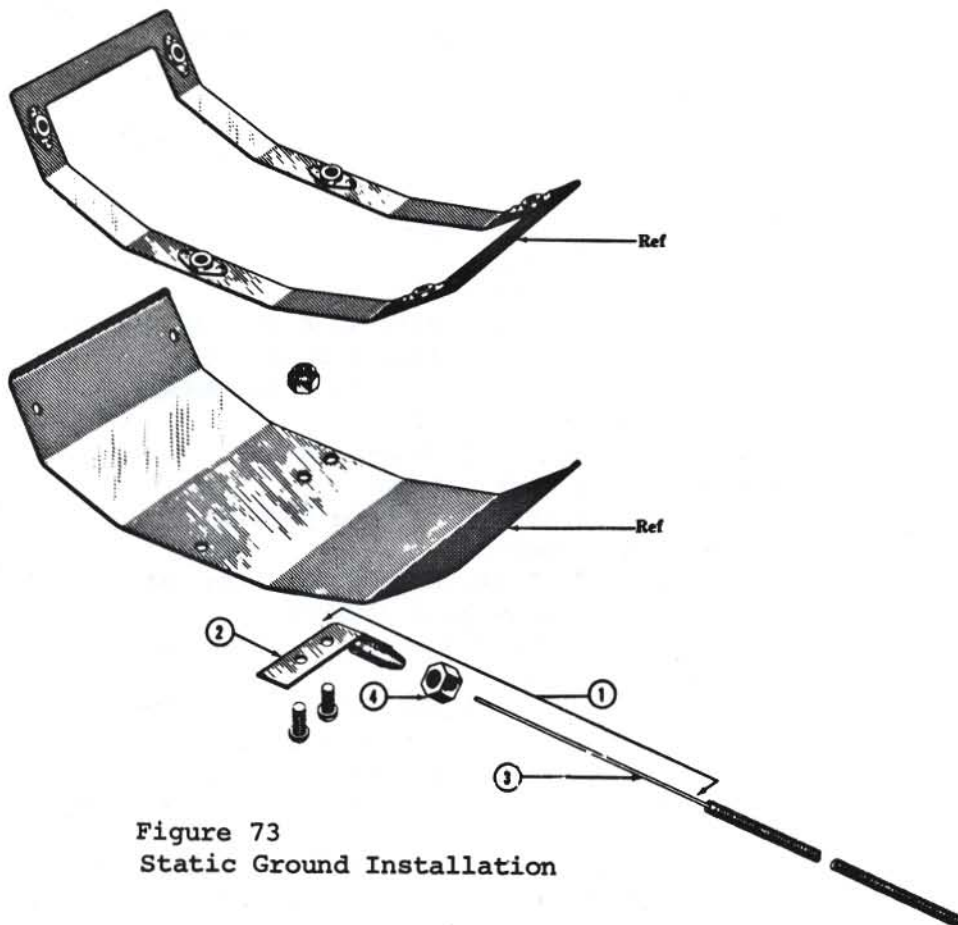


Figure 73
Static Ground Installation

Figure 73

Index

No.	Part No.	Description	Cond.
	75-3733	Installation-static ground	N-S
1	75-3752	Wire assy-static ground	N-S
2	75-3752-6	Support assy-static	N-S
3	75-3752-7	Wire assy-static	N-S
4	75-3752-3	Nut	N-S
	Attach hdw.	1 ea. AN526-1032-7, 1 ea. AN526-1032-8, 2 ea. AN365-1032A F/N	
Ref.	AG75-2382	Frame assy-fuselage cleanout door	FAA-PMA
Ref.	AG-2383	Door assy-fuselage cleanout door	FAA-PMA

INSTRUMENT PANEL & INSTRUMENT INSTALLATION PT-13D & N2S-5
FRONT COCKPIT

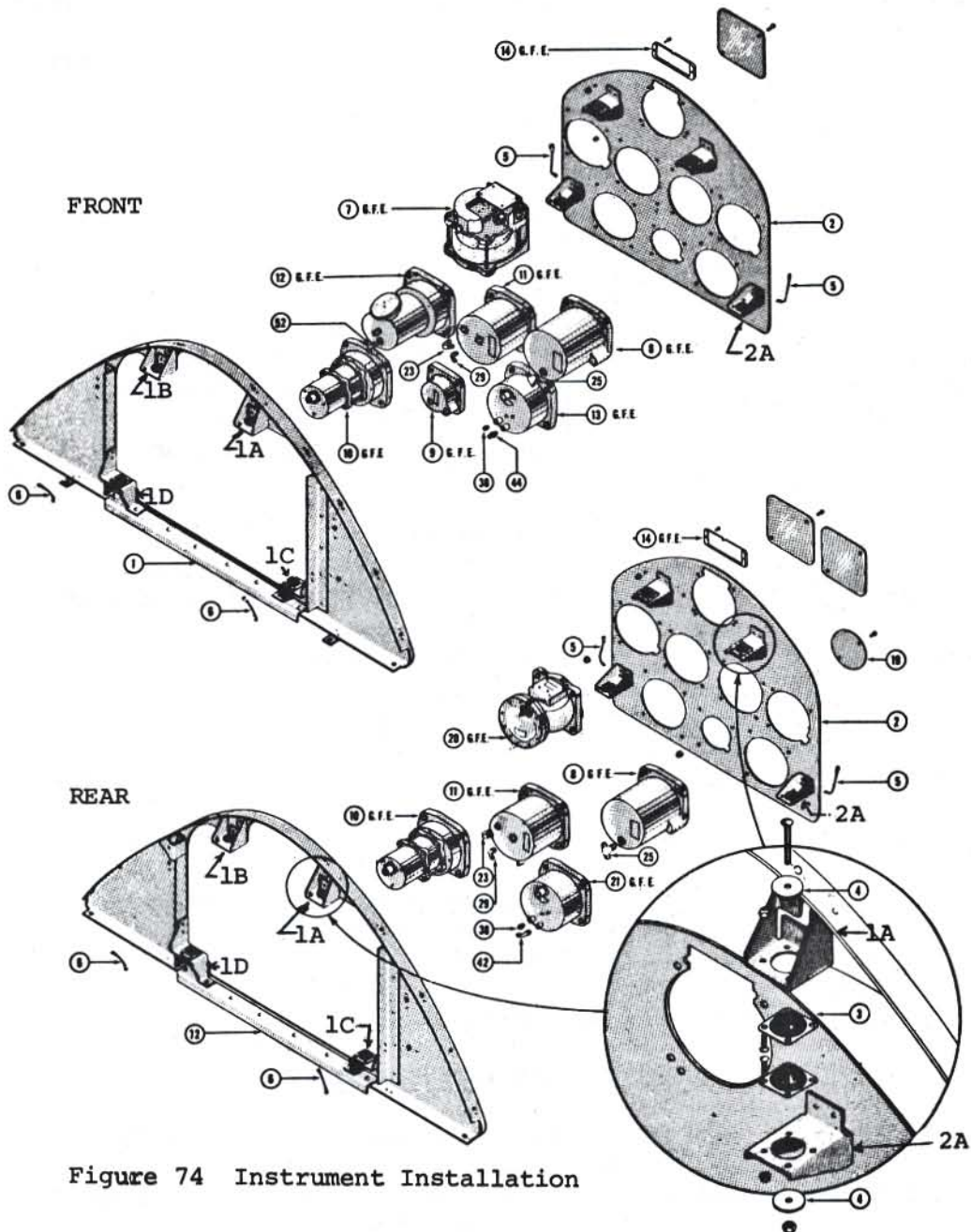


Figure 74 Instrument Installation