

HORIZONTAL STABILIZER & COMPONENT PARTS continued

Figure 11

Index

No.	Part No.	Description	Cond.
15	AG75-1707-2	Strip-stabilizer fabric, 2 required	FAA-PMA
16	AG75-1707-3	Strip-stabilizer fabric, 2 required	FAA-PMA
17	AG75-1707-4	Strip-stabilizer fabric, 2 required	FAA-PMA
	Attach hdw.	38 ea. AN530-6-6 sheet metal screw	
18	2AJ8-8	Jumper-bonding, 4 required	New
	E75N1-1701	Fabric slip cover-grade "A" (both halves)	New
	AN231-2	Drain grommet, 38 required	F/N
19	3AJ8-8	Jumper-bonding, 1 required	F/N
	AN6-33	Bolt-front stabilizer attachment, 2 required	F/N
	AN6-40	Bolt-rear stabilizer attachment, 2 required	F/N
	AN960-616	Washer, 20 required	F/N
	AN310-6	Nut, 4 required	F/N
	AN380-3-3	Cotter pin, 4 required	R/N

ELEVATOR & COMPONENT PARTS

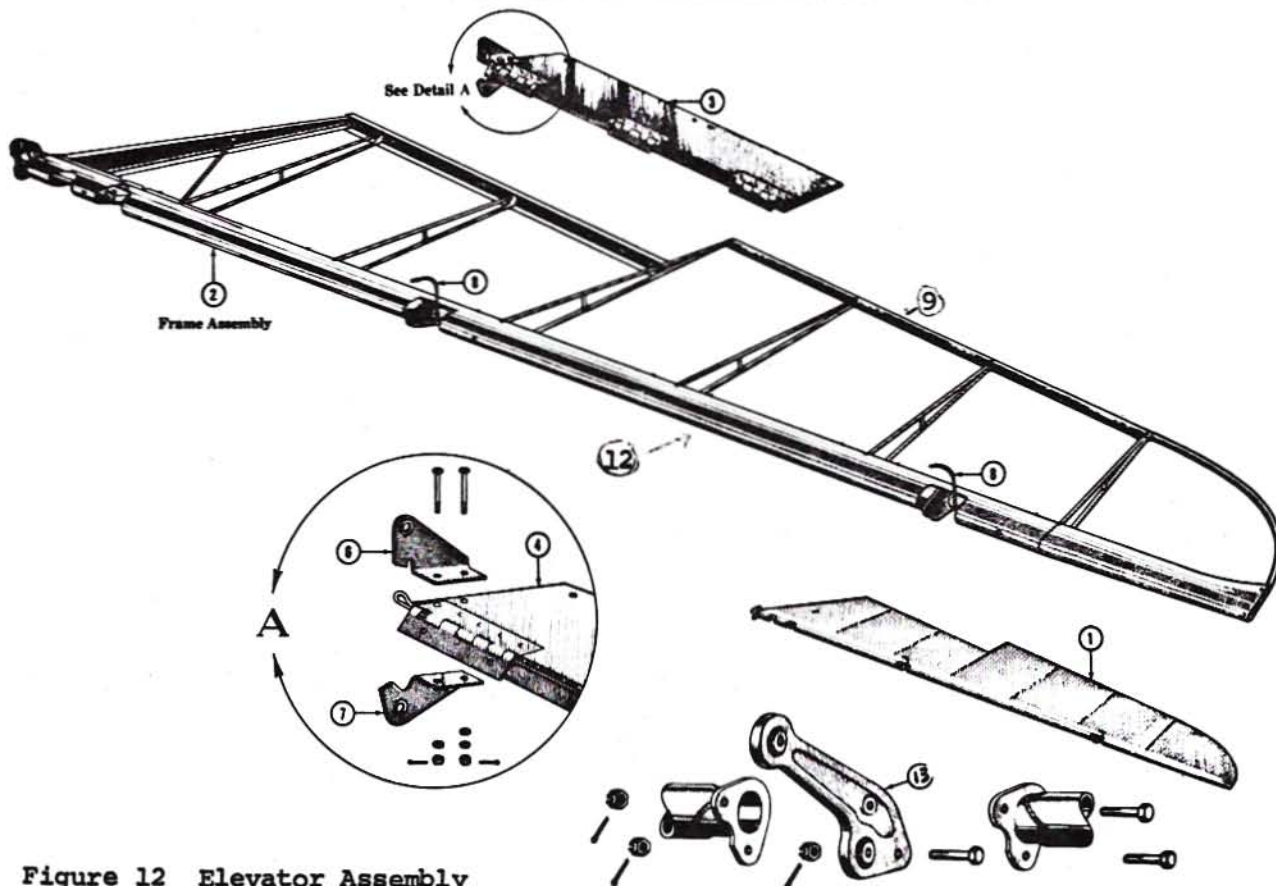


Figure 12 Elevator Assembly

Index

No.	Part No.	Description	Cond.
1	75-1800	Elevator assy, lh covered grade "A", less tabs	
1	75-1800-1	Elevator assy, rh covered grade "A", less tabs	
2	75-1801	Elevator assy, lh uncovered, less tabs	Recond.
2	75-1801-1	Elevator assy, rh uncovered, less tabs	Recond.

ELEVATOR & COMPONENT PARTS continued

Figure 12

Index

No.	Part No.	Description	Cond.
3	75-1813	Tab assy-elevator wood, lh	Recond.
3	75-1813-1	Tab assy-elevator wood, rh	Recond.
4	AG75-1813-2	Tab assy-elevator, metal lh	FAA-PMA
4	AG75-1813-3	Tab assy-elevator, metal rh	FAA-PMA
11	75-1816	Spar-elevator trim tab attach lh	N-P
11	75-1816-1	Spar-elevator trim tab attach rh	N-P
6	AG75-1814-1	Horn assy-elevator trim tab control, upper lh	FAA-PMA
6	AG75-1814-2	Horn assy-elevator trim tab control, upper rh	FAA-PMA
7	AG75-1814-3	Horn assy-elevator trim tab control, lower lh	FAA-PMA
7	AG75-1814-4	Horn assy-elevator trim tab control, lower rh	FAA-PMA
	AGS-225-8S	Replacement bushing for AG75-1814-5,-6,-7 & -8 horns	FAA-PMA
	Attach hdw.	2 ea. AN3-11, 2 ea. AN310-3, 3 ea. AN960-10, & 2 ea. AN380-2-2 per trim tab	F/N
8	2AJ8-8	Jumper-bonding, 2 required	F/N
9	AG75-1818	Trailing edge aluminum-elevator lh & rh	FAA-PMA
10	75-1804	Root rib-elevator lh	N-P
10	75-1804-1	Root rib-elevator rh	N-P
12	75-1805	Cover-leading edge, elevator lh	N-P
12	75-1805-1	Cover-leading edge, elevator rh	N-P
	Attach hdw.	24 ea. AN530-4-3 & 2 ea. AN530-4-4	F/N
13	AG75-1825	Horn assy-elevator control	FAA-PMA
	K4	Replacement bearing for AG75-1825 horn	New
	Attach hdw.	2 ea. AN4-10, 3 ea. AN310-4, 3 ea. AN380-2-2 & 1 ea. AN4-11	F/N
	E75N1-1801	Fabric slip cover-grade "A", elevator lh or rh	New
	AN231-2	Drain grommet, 12 required	New
	AN3-7	Bolt-elevator to stabilizer, 4 required per elevator	New
	AG75-4513-19	Washer-elevator to stabilizer, 8 required per elev.	FAA-PMA
	AN310-3	Nut-elevator to stabilizer, 4 required per elevator	New
	AN380-2-2	Cotter pin-elevator to stabilizer, 4 required per elev.	New
	AG75-1815-1	Hinge-tab attaching	FAA-PMA
	AG75-1815-2	Hinge-tab attaching	FAA-PMA
	AG75-1815-3	Hinge-tab attaching	FAA-PMA
	AG75-1815-4	Hinge-tab attaching	FAA-PMA
	AG75-1815-5	Hinge-tab attaching	FAA-PMA
	AG75-1815-6	Hinge-tab attaching	FAA-PMA
	AG75-1815-7	Hinge-tab attaching	FAA-PMA
	AG75-1815-8	Hinge-tab attaching	FAA-PMA
	AG75-1815-9	Hinge-tab attaching	FAA-PMA
	AG75-1815-10	Hinge-tab attaching	FAA-PMA