

ELEVATOR TAB CONTROL-REAR, R-670, PT-17, N2S-4 & R-680, PT-13, N2S-5

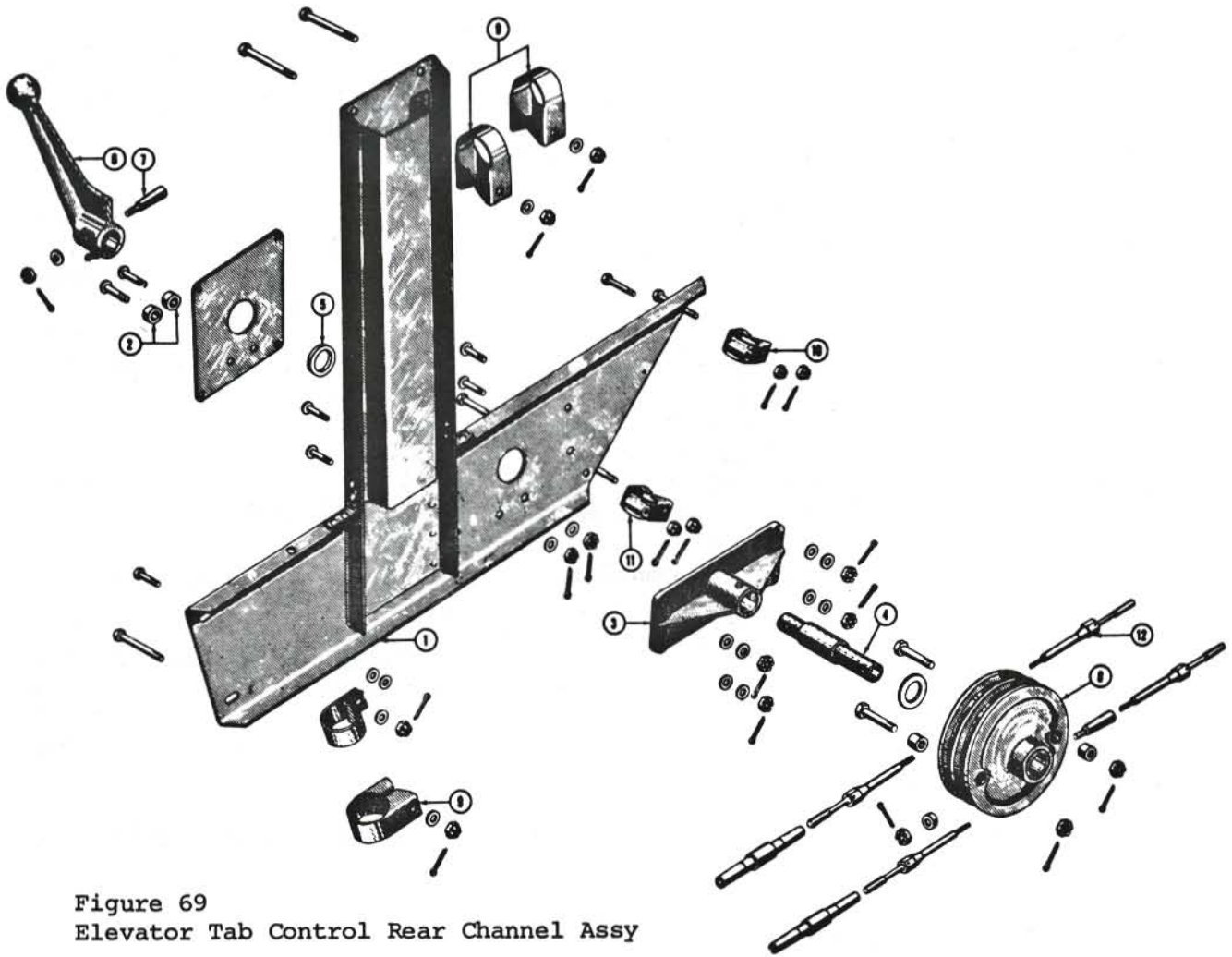


Figure 69
Elevator Tab Control Rear Channel Assy

Index

No.	Part No.	Description	Cond.
1	AG75-3502	Control assy complete-elevator tab rear	FAA-PMA
	AG75-3504	Channel assy-elevator tab control rear	FAA-PMA
	A75N1-3512	Plate-tab control name, metal	F/N
2	AN23-12	Clevis bolt, 2 required	F/N
	AG75-4513-4	Washer-special, 2 required	FAA-PMA
3	Attach hdw.	2 ea. AN960-10, 2 ea. AN320-3, 2 ea. AN380-2-2	F/N
	AGA75N1-3508	Housing-tab control shaft	FAA-PMA
4	Attach hdw.	4 ea. AN23-10, 4 ea. AN960-10L, 4 ea. AN960-10, 4 ea. AN320-3, 4 ea. AN380-2-2	F/N
	AG73-3504	Shaft-flap control handle	FAA-PMA
5	AG75-4513-9	Washer-special	FAA-PMA
6	AG75-3506	Handle-tab control	FAA-PMA
7	AG75-3532	Pin-special taper	FAA-PMA
	Attach hdw.	1 ea. AN960-416, 1 ea. AN320-3, 1 ea. AN380-2-2, 1 ea. AN960-816	F/N
8	AG75-3546	Pulley-rear tab control, double	N-S
	Attach hdw.	1 ea. 386-2-7, 1 ea. AN975-3, 1 ea. AN320-3, 1 ea. AN380-2-2	
9	S-109-D51	Clamp-1-1/8" dia. tube, AG75-3504 attach, 3 req.	N-P

ELEVATOR TAB CONTROL-REAR, R-670,PT-17,N2S-4 & R-680, PT-13,N2S-5 continued

Figure 69

Index

No.	Part No.	Description	Cond.
	Attach hdw.	3 ea. AN3-16, 1 ea. 755--18, 5 ea. AN960-10, 1 ea. AN960-10L	F/N
10	75-3520-1	Clamp assy-tab control channel attach, upper, 1 req.	N-S
	Attach hdw.	1 ea. AN3-10	F/N
11	75-3520-2	Clamp assy-tab control channel attach,lower, 1 req.	N-S
	Attach hdw.	1 ea. AN3-11, 2 ea. AN3-13, 8 ea. AN310-3, 8 ea. AN380-2-2	F/N
15	AGA75N1-3505-3S	Tab control cable assy, s. steel, rear cockpit to non-reverse, short	FAA-PMA
	S-253-4	Spacer-3/16" bolt, 1 required	N-P
	S-253-17	Spacer-3/16" bolt, 2 required	N-P
	Attach hdw.	2 ea. AN155-16S, 1 ea. AN23-11, 1 ea. AN23-19, 2 ea. AN320-3, 2 ea. AN380-2-2	F/N

NON-REVERSING TAB CONTROL ASSEMBLY, R-670, PT-17, N2S-4 & R-680, PT-13, N2S-5

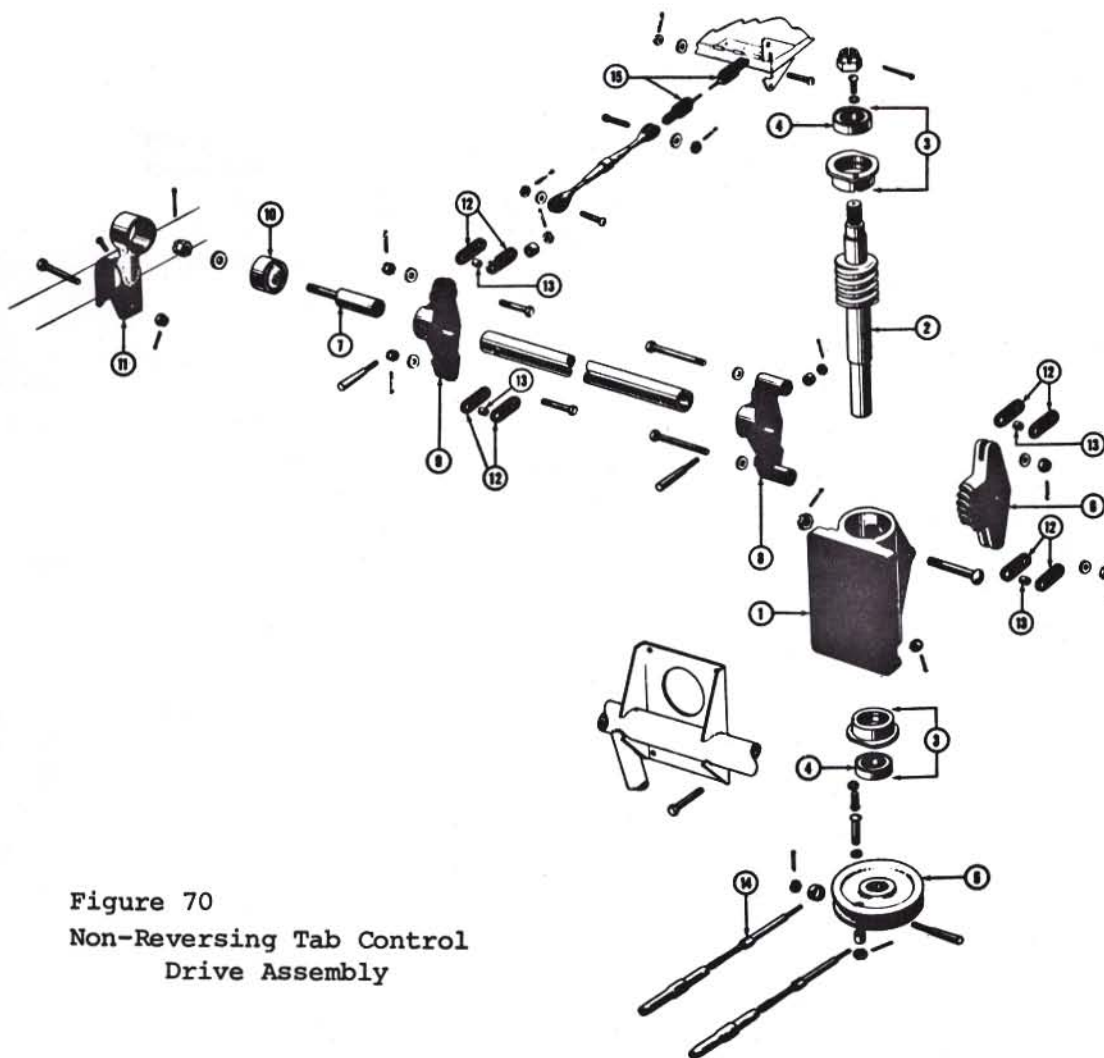


Figure 70
Non-Reversing Tab Control
Drive Assembly