

ELEVATOR TAB CONTROL INSTALLATION, R-670,PT-17,N2S-4 & R-680,PT-13,N2S-5 continued

Figure 67

Index

No.	Part No.	Description	Cond.
11	AGA75N1-3505-4S	Tab control cable assy rear cockpit to non-reverse, long, stainless steel, w/turnbuckles	FAA-PMA
11	AGA75N1-3505-4G	Same as above except galvanized	FAA-PMA
	S-253-4	Spacer-3/16" bolt	N-P
	S-253-17	Spacer-3/16" bolt	N-P
	Attach hdw.	2 ea. AN155-16S, 1 ea. AN23-19, 1 ea. AN23-11, 2 ea. AN320-3, 2 ea. AN380-2-2	F/N
13	AGA75N1-3507-2S	Tab control cable assy-non-reverse to tabs, stainless steel, w/turnbuckles, 4 required	FAA-PMA
13	AGA75N1-3507-2G	Same as above except galvanized	FAA-PMA
	Attach hdw.	1 ea. AN150-16S, 1 ea. AN23-10, 1 ea. AN960-10L, 1 ea. AN320-3, 1 ea. AN380-2-2, 8 ea. AN23-10, 4 ea. AN960-10, 4 ea. AN960-10L, 8 ea. AN320-3, 8 ea. AN380-2-2	F/N
12	75-3526	Pad-fiber rubbing, 2 required	N-S
	AGA75N1-3505-KS	Trim tab control cable kit, s. steel, 8 cables	FAA-PMA
	AGA75N1-3505-KG	Trim tab control cable kit, galvanized, 8 cables	FAA-PMA

ELEVATOR TAB CONTROL-FRONT, R-670, PT-17, N2S-4 & R-680, PT-13, N2S-5

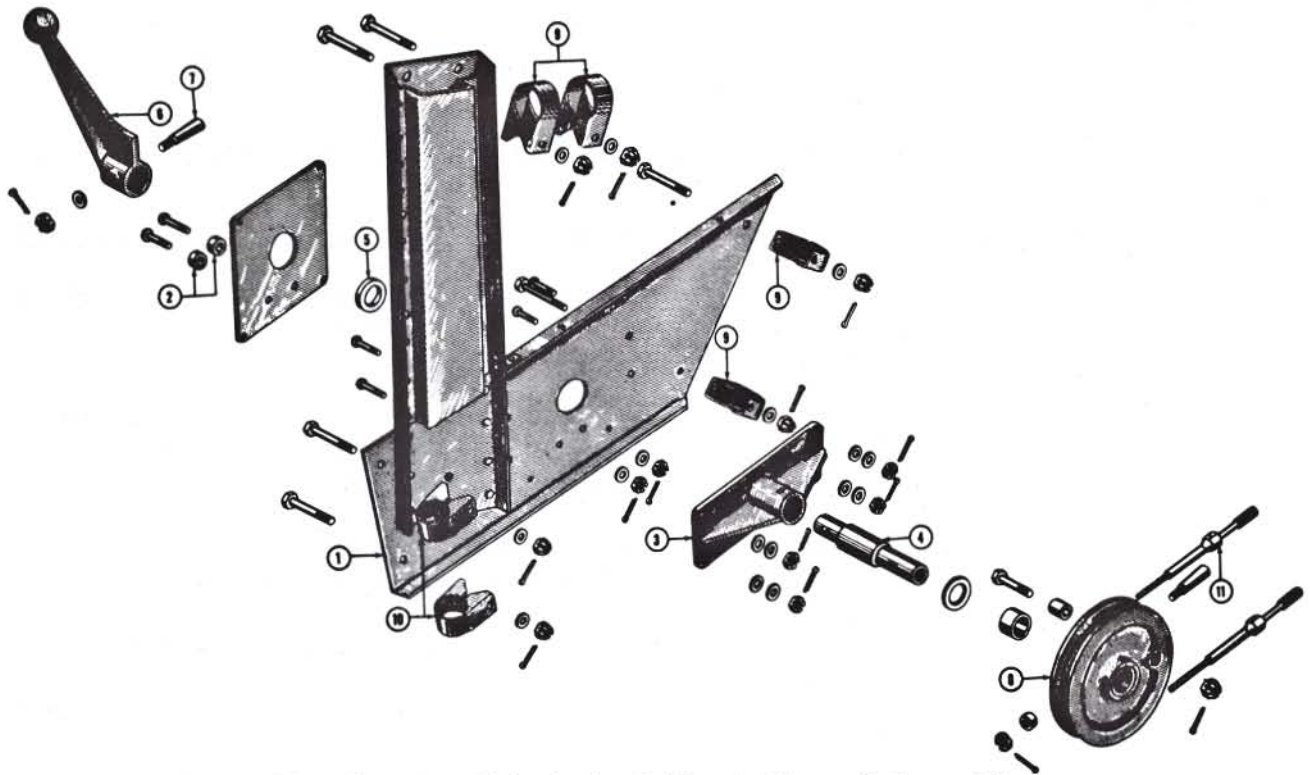


Figure 68 Elevator Tab Control Front Channel Assembly

ELEVATOR TAB CONTROL-FRONT, R-670,PT-17,N2S-4 & R-680,PT-13,N2S-5 continued

Figure 68

Index

No.	Part No.	Description	Cond.
	AG75-3501	Control assembly-complete, elevator tab front	FAA-PMA
	AG75-3503	Channel assy-elevator tab control front	FAA-PMA
	A75N1-3512	Plate-tab control name, metal	F/N
	AN23-12	Clevis bolt, 2 required	F/N
2	AG75-4513-4	Washer-special, 2 required	FAA-PMA
	Attach hdw.	2 ea. AN960-10, 2 ea. AN320-3, 2 ea. AN380-2-2	F/N
3	AGA75N1-3508	Housing-tab control shaft	FAA-PMA
	Attach hdw.	4 ea. AN23-10, 4 ea. AN960-10L, 4 ea. AN960-10, 4 ea. AN320-3, 4 ea. AN380-2-2	F/N
4	AG73-3504	Shaft-tab control handle	FAA-PMA
5	AG75-4513-9	Washer-special	FAA-PMA
6	AG75-3506	Handle-tab control	FAA-PMA
7	AG75-3532	Pin-special taper	FAA-PMA
	AGS-258-16	Spacer-1/4" bolt	FAA-PMA
	Attach hdw.	1 ea. AN960-10, 1 ea. AN320-3, 1 ea. AN380-2-2, 1 ea. AN960-816	F/N
8	AG75-3545	Pulley-front tab control	FAA-PMA
	386-2-7	Pin-taper	F/N
	Attach hdw.	1 ea. AN975-3, 1 ea. AN320-3, 1 ea. AN380-2-2	F/N
9	S-110-D51	Clamp-1-1/4" dia. tube, AG75-3503 attach, 4 required	N-P
	Attach hdw.	4 ea. AN3-17, 4 ea. AN960-10, 4 ea. AN310-3, 4 ea. AN380-2-2	F/N
10	S-108-D51	Clamp-1" dia tube, AG75-3503 attach, 2 required	N-P
	Attach hdw.	2 ea. AN3-15, 2 ea. AN960-10, 2 ea. AN310-3, 2 ea. AN380-2-2	F/N
11	AGA75N1-3505-2S	Tab control cable-intercockpit, s. steel, 2 required	FAA-PMA