

Figure 67 Elevator Tab Control Installation

| Index No. | Part No.        | Description  | Cond.   |
|-----------|-----------------|--|---------|
| 1         | AG75-3501       | Control assy-elevator tab control front  | FAA-PMA |
| 2         | AG75-3502       | Control assy-elevator tab control rear   | FAA-PMA |
| 3         | AG75-3508       | Bracket assy-tab control, front pulley   | FAA-PMA |
| *6        | 75-3515         | Horn assy-dual tab drive   | N-S     |
| 7         | AG75-4513-19    | Washer-special, 4 required   | FAA-PMA |
| 8         | 75-1719         | Guard-elevator trim tab pulley bracket, 4 required   | N-S     |
|           | Attach hdw.     | 4 ea. AN3-13, 4 ea. AN960-10, 4 ea. AN310-3,<br>4 ea. AN380-2-2                                | F/N     |
|           |                 | NOTE: ALL CABLES TESTED & COMPLETE W/TURNBUCKLES   |         |
| 9         | AGA75N1-3505-2S | Trim tab intercockpit control cable assy, s.steel,<br>w/turnbuckles, 2 required                | FAA-PMA |
| 9         | AGA75N1-3505-2G | Trim tab intercockpit control cable assy,galvanized,<br>w/turnbuckles, 2 required              | FAA-PMA |
|           | S-253-17        | Spacer-3/16" bolt  | N-P     |
|           | Attach parts    | 1 ea. AN155-16S, 1 ea. AN3-10, 1 ea. AN310-3,<br>1 ea. AN23-19, 1 ea. AN320-3, 2 ea. AN380-2-2 | F/N     |
| 10        | AGA75N1-3505-3S | Tab control cable assy rear cockpit to non-reverse,<br>short, stainless steel, w/turnbuckles   | FAA-PMA |
| 10        | AGA75N1-3505-3G | Same as above except galvanized  | FAA-PMA |
| * 4       | AG75-3509       | Bracket assy-tab control rear pulley   | FAA-PMA |

ELEVATOR TAB CONTROL INSTALLATION, R-670,PT-17,N2S-4 & R-680,PT-13,N2S-5 continued

Figure 67

Index

| No. | Part No.        | Description   | Cond.   |
|-----|-----------------|---|---------|
| 11  | AGA75N1-3505-4S | Tab control cable assy rear cockpit to non-reverse, long, stainless steel, w/turnbuckles  | FAA-PMA |
| 11  | AGA75N1-3505-4G | Same as above except galvanized   | FAA-PMA |
|     | S-253-4         | Spacer-3/16" bolt   | N-P     |
|     | S-253-17        | Spacer-3/16" bolt   | N-P     |
|     | Attach hdw.     | 2 ea. AN155-16S, 1 ea. AN23-19, 1 ea. AN23-11, 2 ea. AN320-3, 2 ea. AN380-2-2   | F/N     |
| 13  | AGA75N1-3507-2S | Tab control cable assy-non-reverse to tabs, stainless steel, w/turnbuckles, 4 required  | FAA-PMA |
| 13  | AGA75N1-3507-2G | Same as above except galvanized   | FAA-PMA |
|     | Attach hdw.     | 1 ea. AN150-16S, 1 ea. AN23-10, 1 ea. AN960-10L, 1 ea. AN320-3, 1 ea. AN380-2-2, 8 ea. AN23-10, 4 ea. AN960-10, 4 ea. AN960-10L, 8 ea. AN320-3, 8 ea. AN380-2-2 | F/N     |
| 12  | 75-3526         | Pad-fiber rubbing, 2 required   | N-S     |
|     | AGA75N1-3505-KS | Trim tab control cable kit, s. steel, 8 cables  | FAA-PMA |
|     | AGA75N1-3505-KG | Trim tab control cable kit, galvanized, 8 cables  | FAA-PMA |

ELEVATOR TAB CONTROL-FRONT, R-670, PT-17, N2S-4 & R-680, PT-13, N2S-5

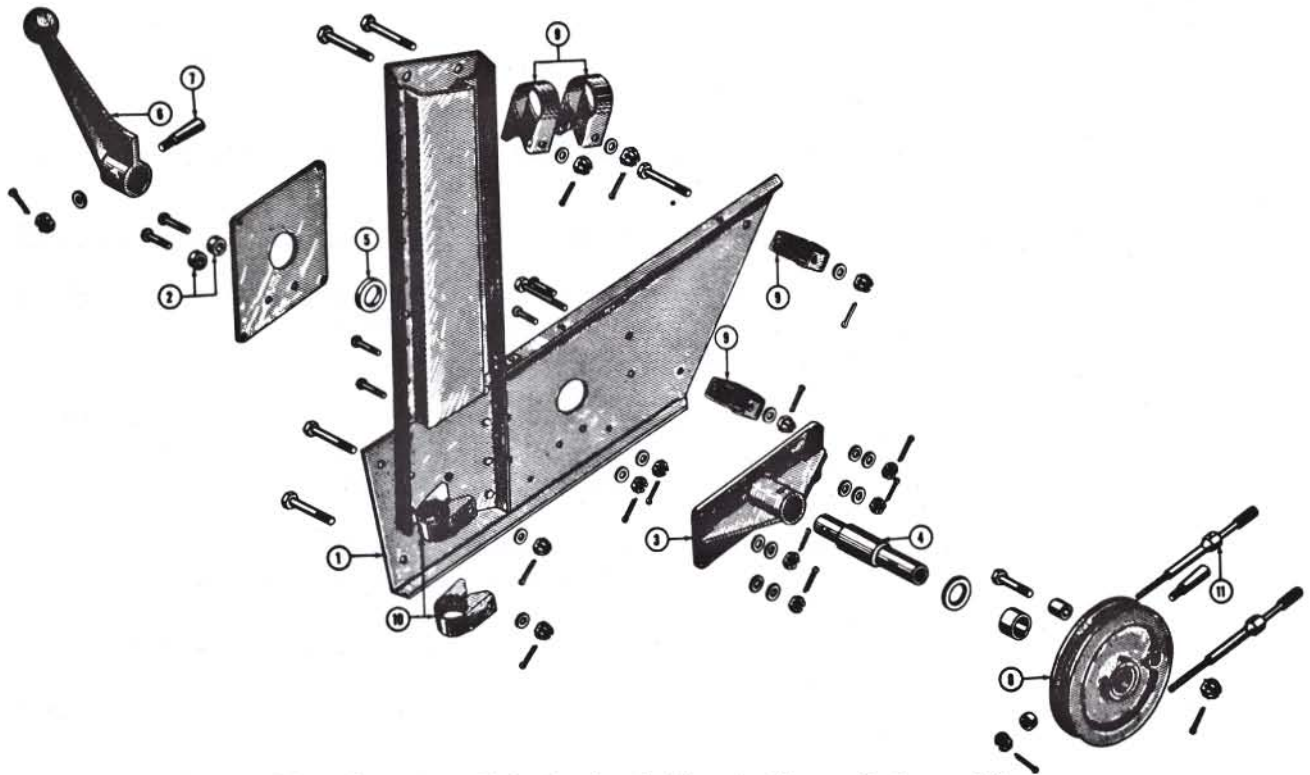


Figure 68 Elevator Tab Control Front Channel Assembly