

RUDDER & STEARABLE CABLE ATTACHING PARTS,R-670,PT-17,N2S-4 & R-680,Pt-13,N2S-5 cont'd.

Figure 63

Index

No.	Part No.	Description	Cond.
23	AG75-3415	Bracket-Rudder cable fairlead, 2 required	FAA-PMA
	Attach hdw.	8 ea. AN515-6-6, 8 ea. AN365-632A, 8 ea. AN960-6	F/N
24	75-3493	Fairlead-5/32" rear rudder cable	N-P

RUDDER PEDAL INSTALLATION & PARTS
R-670, PT-17, N2S-4 & R-680, PT-13, N2S-5

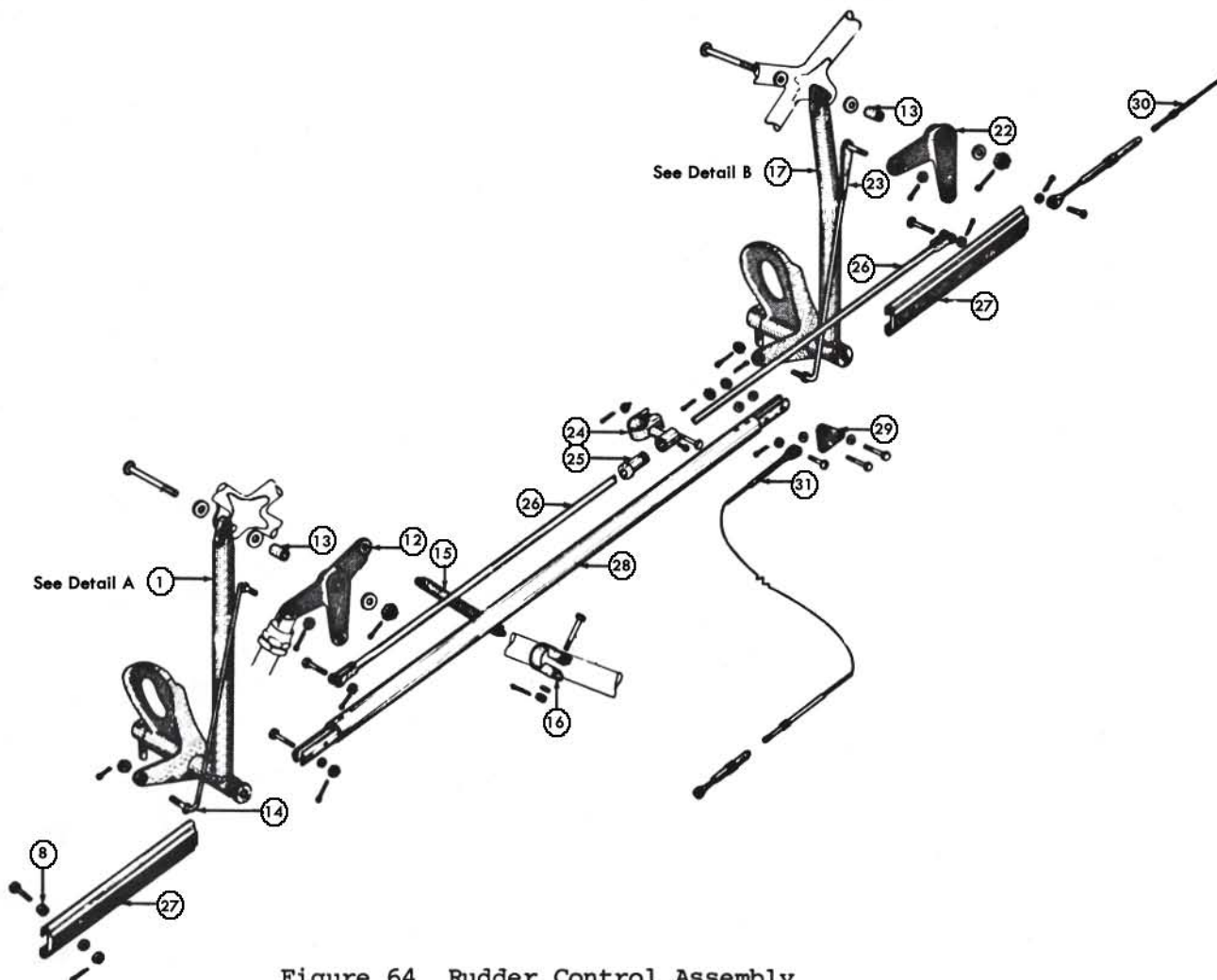


Figure 64 Rudder Control Assembly

Index

No.	Part No.	Description	Cond.
1	AG75-3471	Pedal assy complete, front rudder control	FAA-PMA
1	AG75-3471-1	Pedal assy complete, front rudder control	FAA-PMA
12	75-3475	Bellcrank assy-front brake control lh	N-P
12	75-3475-1	Bellcrank assy-front brake control rh	N-P
	S-226-16S	Replacement bushing AG75-3475, 3475-1, 4 required	N-P
	S-233-48S	Replacement bushing AG75-3475, 3475-1, 2 required	N-P
	AN28-50	Clevis bolt-rudder pedal attach, 2 required	F/N
	Attach hdw.	2 ea. AN320-8, 2 ea. AN380-3-3, 4 ea. AN960-816	F/N
13	S-210-49S	Bushing-5/8" o.d., rudder pedal top, 2 required	N-P
14	AG75-3419	Rod assy-front brake pedal connecting, 2 required	FAA-PMA

RUDDER PEDAL INSTALLATION & PARTS,R-670,PT-17,N2S-4 & R-680,PT-13,N2S-5 continued

Figure 64

Index

No.	Part No.	Description	Cond.
	Attach hdw.	2 ea. AN310-4, 2 ea. AN380-2-2	F/N
15	75-3492	Spring-brake linkage & spark retarder control, 2 req.	N-P
16	S-110-D51	Clamp-1-1/4" tube, 2 required	N-P
	Attach hdw.	2 ea. AN3-16, 2 ea. AN310-3, 2 ea. AN960-10, 2 ea. AN380-2-2	F/N
17	AG75-3472	Pedal assy complete-rear rudder control lh	FAA-PMA
17	AG75-3472-1	Pedal assy complete-rear rudder control rh	FAA-PMA
22	75-3477	Bellcrank assy-rear brake control lh	N-S
22	75-3477-1	Bellcrank assy-rear brake control rh	N-S
	S-226-16S	Replacement bushing-3/8" for 75-3477, 3477-1, 4 required	N-P
	S-233-48S	Replacement bushing-13/16" for 75-3477, 3477-1 2 required	N-P
	AN28-50	Clevis bolt-rear rudder pedal attach, 2 required	F/N
	Attach hdw.	2 ea. AN310-8, 2 ea. AN380-3-3, 4 ea. AN960-816	F/N
13	S-210-49S	Bushing-5/8 o.d., top rudder pedal, 2 required	N-P
23	AG75-3420	Rod assy-rear brake pedal connecting, 2 required	FAA-PMA
	Attach hdw.	4 ea. AN310-4, 4 ea. AN380-2-2	F/N
24	AG75-3449	Support assy-brake control fairlead lh	FAA-PMA
24	AG75-3449-1	Support assy-brake control fairlead rh	FAA-PMA
	Attach hdw.	2 ea. AN3-13, 2 ea. AN310-3, 2 ea. AN380-2-2	F/N
25	S-116	Fairlead-3/8" tube for AG75-3418 rod	N-P
	Attach hdw.	2 ea. AN530-6-6	F/N
26	AG75-3418	Tube-brake control bellcrank connecting, 2 required	FAA-PMA
	Attach hdw.	4 ea. AN4-10, 4 ea. AN310-4, 4 ea. AN380-2-2	F/N
27	E75-3413-F	Rack-rudder pedal adjusting front, 2 required	N-P
8	AG73-3426-2	Retainer-rudder pedal adjusting spring, 2 required	FAA-PMA
	Attach hdw.	2 ea. AN4-7, 2 ea. AN310-4, 2 ea. AN380-2-2, 2 ea. AN960-416	F/N
28	AG75-3401	Tube assy-rudder pedal connection, 2 required	FAA-PMA
	Attachhdw.	4 ea. AN4-11, 4 ea. AN310-4, 4 ea. AN380-2-2, 4 ea. AN960-416	F/N
27	E75-3413-R	Rack-rudder pedal adjusting, rear, 2 required	N-P
29	75-3487	Plate assy-rudder pedal connecting plate, 2 required	N-P
	AGS-276-8S	Replacement bushing, flanged- 75-3487 plate, 2 req.	FAA-PMA
	Attach hdw.	4 ea. AN4-12, 4 ea. AN310-4, 4 ea. AN380-2-2, 4 ea. AN960-416	F/N
30	AGA75N1-3405-2S	Front rudder control cable, s.steel, 2 required	FAA-PMA
31	AGA75N1-3417-S	Rudder balance control cable, s.steel, 1 required	FAA-PMA