

HORIZONTAL STABILIZER & COMPONENT PARTS

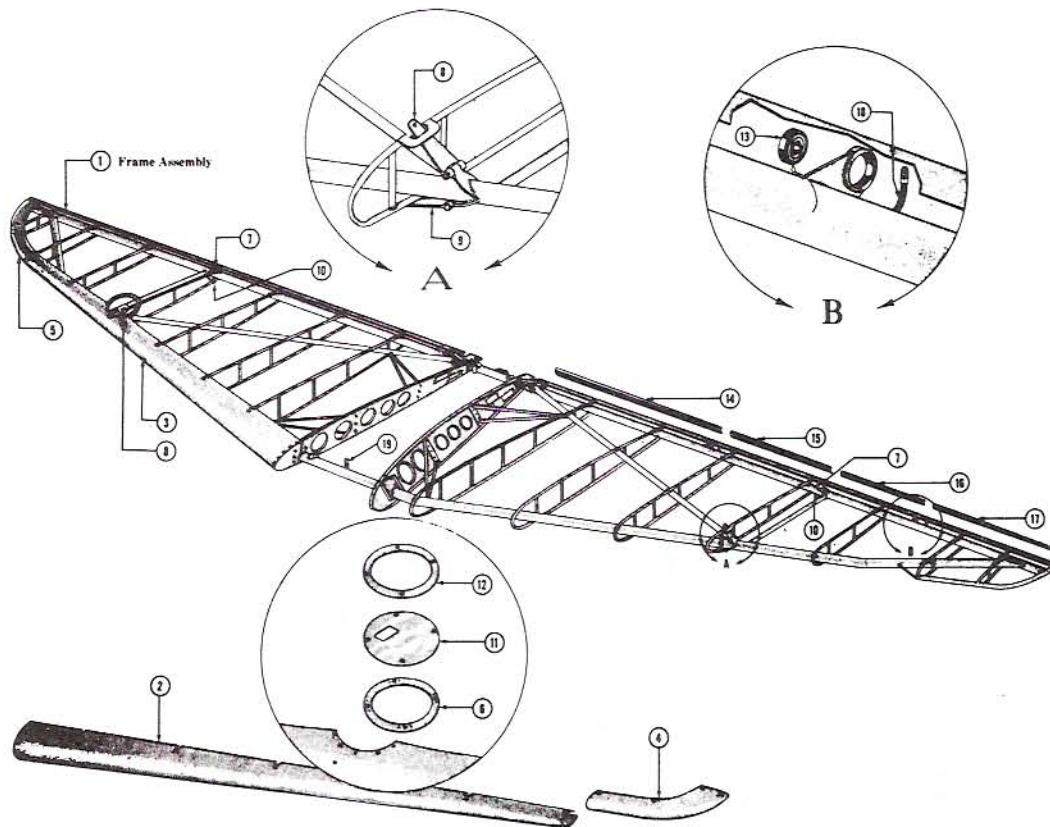


Figure 11 Stabilizer Assembly

Index No.	Part No.	Description	Cond.
1	75-1700	Stabilizer assy-covered grade "A" fabric	
1	75-1751	Stabilizer assy-uncovered	
	75-1704-4	Rib-stabilizer root lh	N-P
	75-1704-3	Rib-stabilizer root rh	N-P
	75-1704-2	Rib-stabilizer root nose, lh	N-P
	75-1704-1	Rib-stabilizer root nose, rh	N-P
2	75-1705-4	Cover-stabilizer leading edge lh	N-P
3	75-1705-5	Cover-stabilizer leading edge rh	N-P
4	75-1705-2	Cover-stabilizer leading edge left tip	N-P
5	75-1705-3	Cover-stabilizer leading edge right tip	N-P
	Attach hdw.	33 ea. AN530-4-3 & 3 ea. AN530-4-4	
6	AG75-1118	Frame assy-inspection opening	FAA-PMA
7	75-1607	Shackle-2100# brace-upper rear, 2 required	N-S
	Attach hdw.	2 ea. AN3-11, 2 ea. AN310-3, 2 ea. AN380-2-2	F/N
8	75-1737	Shackle-stabilizer, front upper, 2 required	N-S
	Attach hdw.	2 ea. AN3-20, 2 ea. AN310-3, 2 ea. AN380-2-2	F/N
9	75-1739	Shackle-stabilizer, front lower, 2 required	N-S
	Attach hdw.	2 ea. AN4-24, 2 ea. AN310-4, 2 ea. AN380-2-2	
10	75-1741	Shackle-stabilizer rear lower, 2 required	N-S
	Attach hdw.	2 ea. AN4-16, 2 ea. AN310-4, 2 ea. AN380-2-2	
11	AG75-1727	Window-brace wire inspection, 2 required	FAA-PMA
12	AG75-1117	Frame-inspection opening outer, 2 required	FAA-PMA
	Attach hdw.	8 ea. AN526-1032-7	F/N
13	K3L	Bearing-stabilizer hinge, 4 required	New
14	AG75-1707-1	Strip-stabilizer fabric, 2 required	FAA-PMA

HORIZONTAL STABILIZER & COMPONENT PARTS continued

Figure 11

Index

No.	Part No.	Description	Cond.
15	AG75-1707-2	Strip-stabilizer fabric, 2 required	FAA-PMA
16	AG75-1707-3	Strip-stabilizer fabric, 2 required	FAA-PMA
17	AG75-1707-4	Strip-stabilizer fabric, 2 required	FAA-PMA
	Attach hdw.	38 ea. AN530-6-6 sheet metal screw	
18	2AJ8-8	Jumper-bonding, 4 required	New
	E75N1-1701	Fabric slip cover-grade "A" (both halves)	New
	AN231-2	Drain grommet, 38 required	F/N
19	3AJ8-8	Jumper-bonding, 1 required	F/N
	AN6-33	Bolt-front stabilizer attachment, 2 required	F/N
	AN6-40	Bolt-rear stabilizer attachment, 2 required	F/N
	AN960-616	Washer, 20 required	F/N
	AN310-6	Nut, 4 required	F/N
	AN380-3-3	Cotter pin, 4 required	R/N

ELEVATOR & COMPONENT PARTS

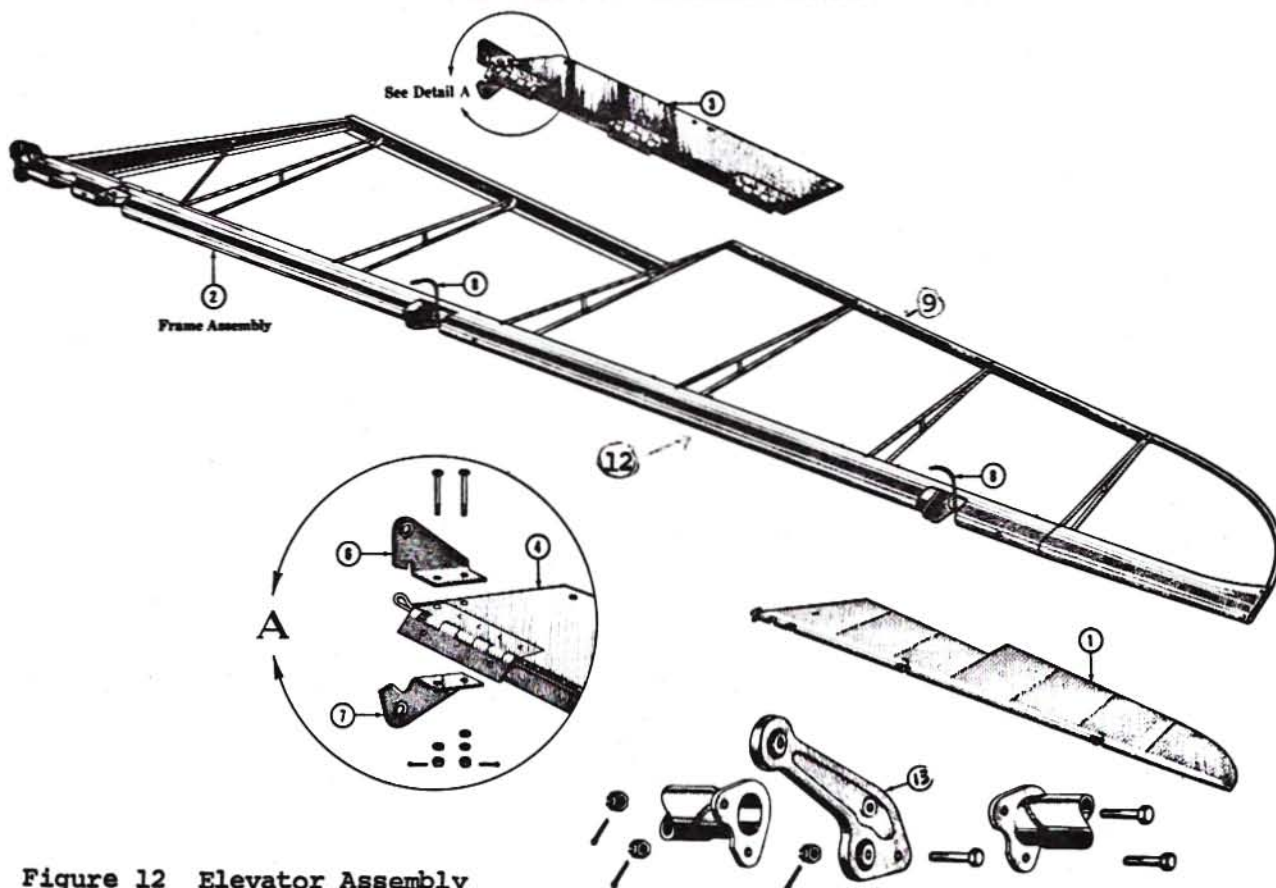


Figure 12 Elevator Assembly

Index

No.	Part No.	Description	Cond.
1	75-1800	Elevator assy, lh covered grade "A", less tabs	
1	75-1800-1	Elevator assy, rh covered grade "A", less tabs	
2	75-1801	Elevator assy, lh uncovered, less tabs	Recond.
2	75-1801-1	Elevator assy, rh uncovered, less tabs	Recond.