

RUDDER CONTROL CABLES & PARTS, R-670, PT-17, N2S-4 & R-680, PT-13, N2S-5
ALL CABLES TESTED & COMPLETE WITH TURNBUCKLE FITTINGS

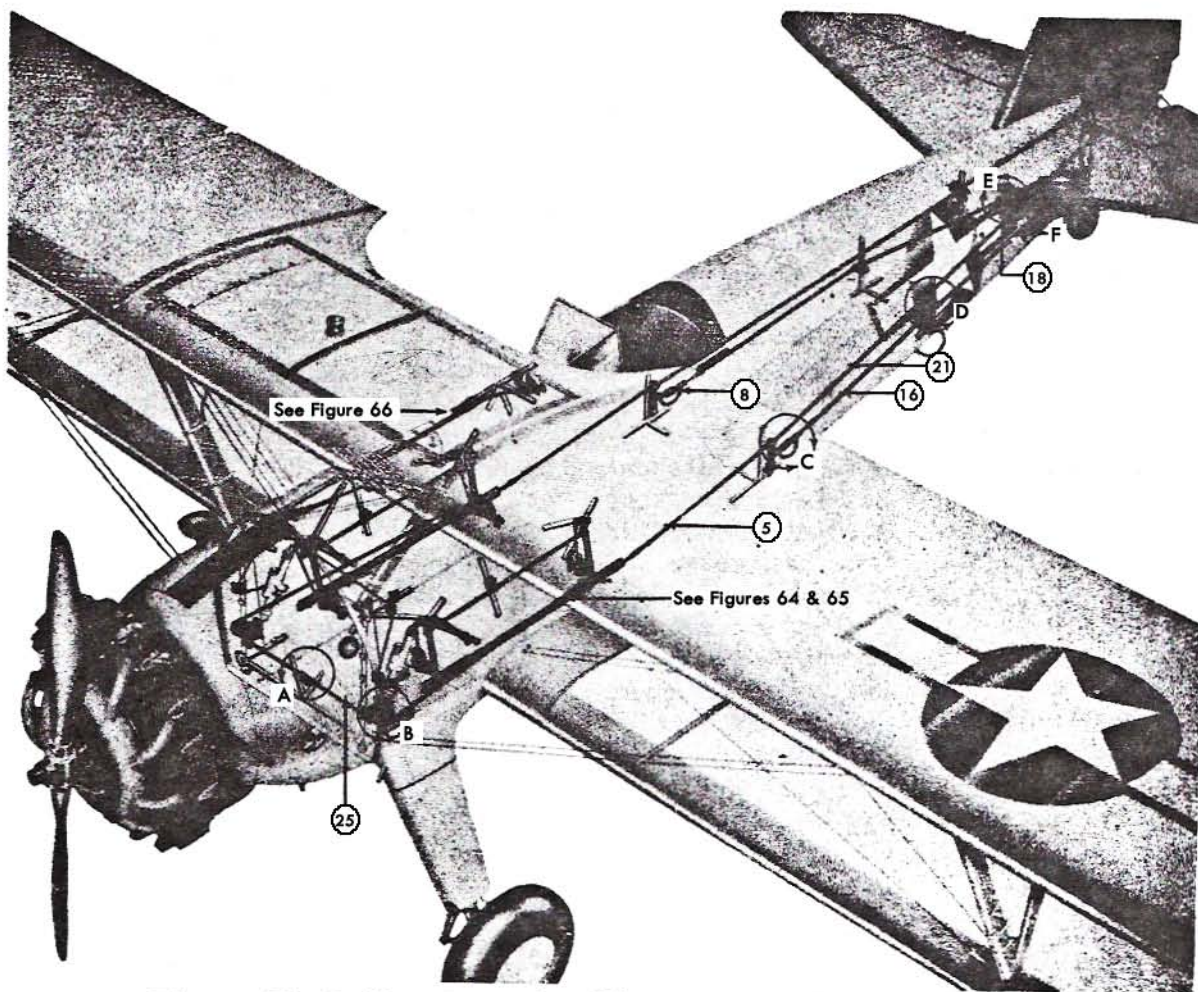


Figure 62 Rudder Control Cables & Parts

Index

No.	Part No.	Description	Cond.
5	AGA75N1-3405-2S	Front rudder cable, stainless steel, 2 required	FAA-PMA
5	AGA75N1-3405-2G	Front rudder cable, galvanized, 2 required	FAA-PMA
	Attach parts	2 ea. AN155-32L, 2 ea. AN161-32LR, 2 ea. AN24-12, 2 ea. AN320-4, 2 ea. AN380-2-2	F/N
8	AG73-3405-S	Tailwheel safety cable, stainless steel, 2 required	FAA-PMA
8	AG73-3405-G	Tailwheel safety cable, galvanized, 2 required	FAA-PMA
	Attach hdw.	2 ea. AN115-32	F/N
16	AG75-3488HS	Stearable cable w/housing, stainless steel, 2 req.	FAA-PMA
16	AG75-3488HG	Stearable cable w/housing, galvanized, 2 required	FAA-PMA
16	AG75-3488-S	Stearable cable less housing, stainless steel, 2 req.	FAA-PMA
16	AG75-3488-G	Stearable cable less housing, galvanized, 2 required	FAA-PMA
	Attach parts	2 ea. AN165-32L, 2 ea. AN155-32L, 2 ea. AN161-32LL 2 ea. AN24-12, 2 ea. AN320-4, 2 ea. AN380-2-2, 4 ea. AN115-32, 6 ea. AN24-12, 6 ea. AN320-4, 6 ea. AN380-2-2	F/N
18	AGE75N1-3407	Bracket assy-rudder cable self-aligning pulley, 2 req.	FAA-PMA
21	AGA75N1-3405-3S	Rear rudder cable, stainless steel, 2 required	FAA-PMA
21	AGA75N1-3405-3G	Rear rudder cable, galvanized, 2 required	FAA-PMA
	Attach parts	2 ea. AN155-32L, 2 ea. AN165-32, 2 ea. AN115-32, 2 ea. AN24-12, 2 ea. AN320-4, 2 ea. AN380-2-2, 2 ea. AN4-13, 2 ea. AN310-4, 2 ea. AN115-32, 2 ea. AN24-12, 2 ea. AN320-4, 4 ea. AN380-2-2	F/N

RUDDER CONTROL CABLES & PARTS, R-670, PT-17, N2S-4 & R-680, PT-13, N2S-5 continued

Figure 62

Index

No.	Part No.	Description	Cond.
31	AGA75N1-34I7-S	Rudder balance cable, stainless steel, 1 required	FAA-PMA
31	AGA75N1-34I7-G	Rudder balance cable, galvanized, 1 required	FAA-PMA
	Attach parts	1 ea. AN155-32S, 1 ea. AN161-32RS, 4 ea. AN24-12, 4 ea. AN320-4, 4 ea. AN380-2-2,	F/N
	AGA75N1-3405-KS	Rudder control cable set, stainless steel	FAA-PMA
	AGA75N1-3405-KG	Rudder control cable set, galvanized	FAA-PMA

RUDDER & STEARABLE CABLE ATTACHING PARTS
R-670, PT-17, N2S-4 & R-680, PT-13, N2S-5

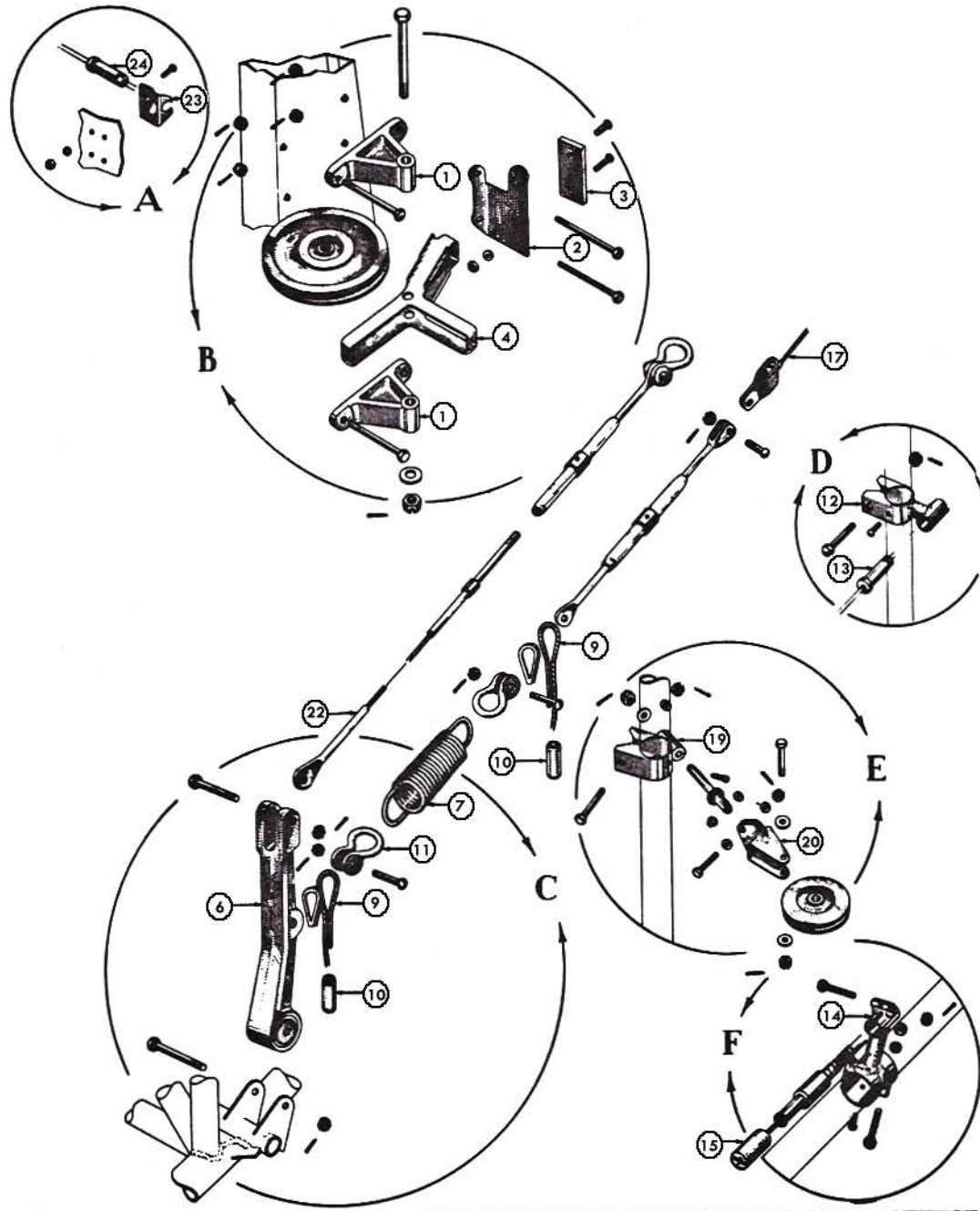


Figure 63 Rudder & Brake Control Installation