

OIL SYSTEM INSTALLATION, R-670, PT-17, N2S-4

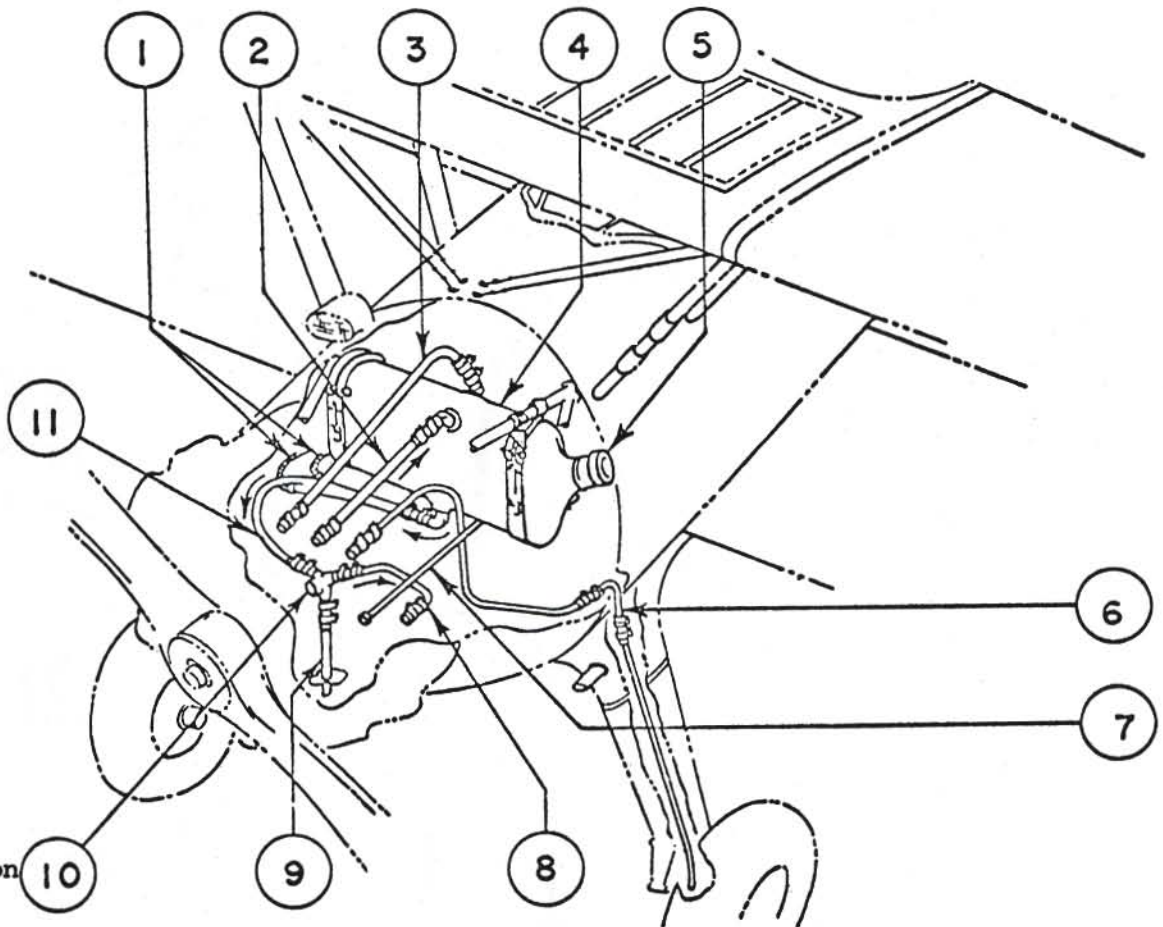


Figure 49
Oil System
Installation

Index

| No. | Part No. | Description | Cond. |
|-----|-----------------|---|---------|
| 1 | | Oil temp line to gauge type B-7, ref. only see instrument installation | |
| 2 | AC882-16-72 | Line-return from engine | F/N |
| 3 | A75N1-3005 | Vent line from tank to engine | N-P |
| 4 | AG75-3028 | Oil tank assy-4.4 gallons | FAA-PMA |
| 5 | E75N1-3013-2 | Oil cap-light type, R-670, R-680 | N-S |
| 5 | E75N1-3013-3 | Oil cap-spring loaded type, R-670, R-680 | N-S |
| 5 | AGE75N1-3013-2C | Oil cap w/dip stick, R-670 | FAA-PMA |
| 5 | E75N1-3013-3C | Oil cap w/dip stick, R-670 | N-S |
| 5 | E75N1-3013-2L | Oil cap w/dip stick, R-680 | N-S |
| 5 | E75N1-3013-3L | Oil cap w/dip stick, R-680 | N-S |
| 6 | 75N1-3009-1 | Oil line-engine breather | N-P |
| 6 | 75N1-3009-2 | Oil line-engine breather | N-P |
| 6 | 75N1-3009-3 | Oil line-engine breather | N-P |
| 7 | 75-3869 | Oil pressure line from engine to gauge, ref. only, see instrument installation | |
| 8 | AGA75N1-3003 | Line | FAA-PMA |
| 9 | AGA75N1-3001 | Line-oil drain | FAA-PMA |

OIL SYSTEM INSTALLATION, R-670, PT-17, N2S-4 continued

Figure 49

Index

| No. | Part No. | Description | Cond. |
|-----|---------------|--|-------|
| 10 | 37D6114-4 | Oil "Y" drain, Stock Stearman | N-S |
| 11 | A75N1-3002 | Line-outlet from tank (thermowell) | N-P |
| | Attach parts: | | |
| | AC882-16-11 | Hose-1" oil line connections, 4 required | F/N |
| | AC882-8-9 | Hose-1/2" oil line connections, 5 required | F/N |
| | QS100-16W | Clamp-1" hose QS100-M16W, 8 required | F/N |
| | QS100-8W | Clamp-1/2" hose, QS100-M8W | F/N |

OIL SYSTEM INSTALLATION, R-680, N2S-5

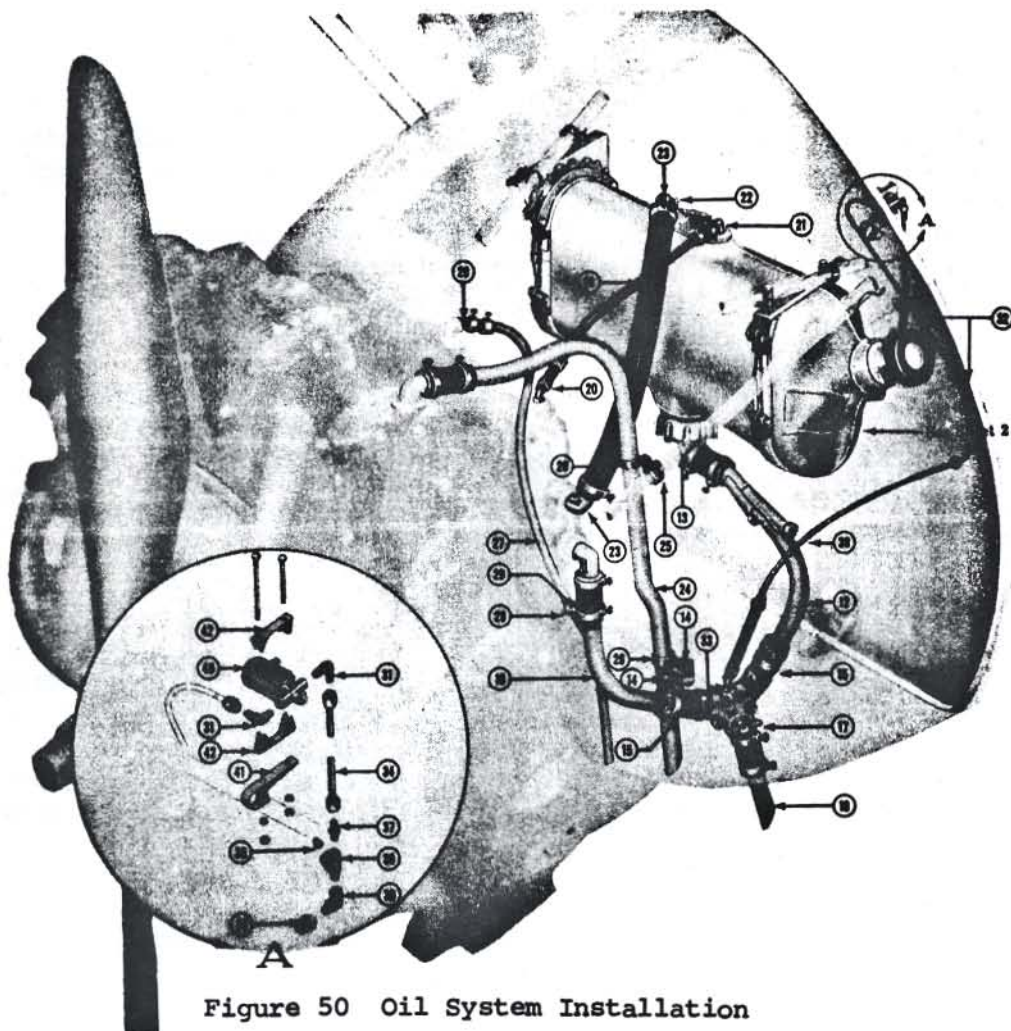


Figure 50 Oil System Installation

Index

| No. | Part No. | Description | Cond. |
|-----|-------------|--------------------------------|-------|
| 12 | E75N1-3006 | Line assy-thermowell oil inlet | N-S |
| 13 | 75-3005 | Elbow assy-oil outlet guard | N-S |
| | AN884-16-12 | Hose-at "Y" drain | F/N |