

LANDING GEAR SPONSON ASSEMBLY & COMPONENT PARTS

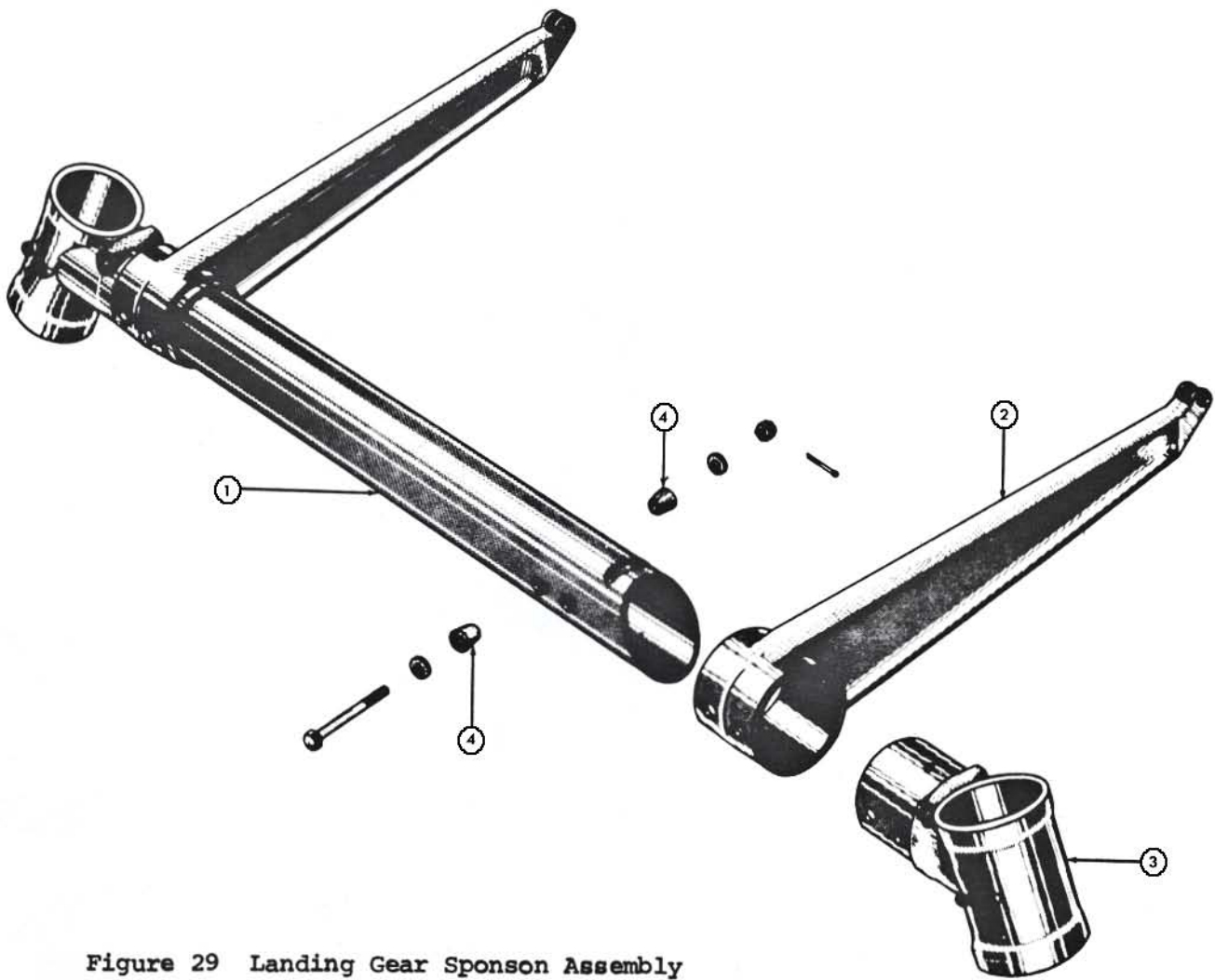


Figure 29 Landing Gear Sponson Assembly

Index

No.	Part No.	Description	Cond.
1	75-2624	Tube-bolted type sponson	Recond.
2	75-2623	Arm-bolted type sponson torque lh	Recond.
2	75-2623-1	Arm-bolted type sponson torque rh	Recond.
3	75-2619	Knuckle	
4	75-2625	Bushing-bolted type sponson, 8 required	N-S
	AN6-50	Bolt, 4 required	F/N
	AN310-6	Nut, 4 required	F/N
	AN380-3-3	Cotter pin, 4 required	F/N
	AN960-616	Washer, 8 required	F/N