

HALIBURTON LANDING GEAR ASSY (SHORT PT-13, N2S-5 continued

Figure 27

Index

No.	Part No.	Description	Cond.
	AN960-616	Washer-75-2609 knuckle attach, 4 required	F/N
	AN380-3-3	Cotter pin, 75-2609 knuckle attach, 4 required	F/N
5	75-2610	Axle assy-stub, Bendix & Haliburton	N-S
6	75-2626	Eye-towing, Bendix & Haliburton	N-P
7	75-2622	Sponson assy-Bendix & Haliburton	
8	E75N1-2643	Strut assy-landing gear shock less scissors & knuckle	Recond.

AXLE ASSEMBLY

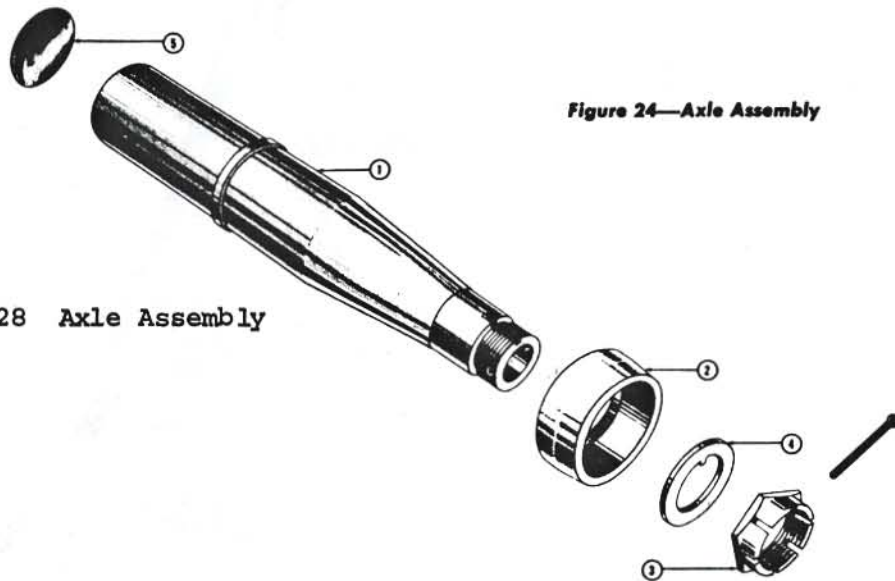


Figure 28 Axle Assembly

Figure 24—Axle Assembly

Index

No.	Part No.	Description	Cond.
1	75-2610	Axle assy-stub	N-S
2	34A15-2	Collar-landing gear axle	N-S
3	32A510-1	Nut-landing gear axle	N-S
4	32A509-1	Washer-landing gear axle	N-S
5	75-2627	Plug-stub axle	N-S
	AN380-4-8	Cotter pin-axle nut	F/N