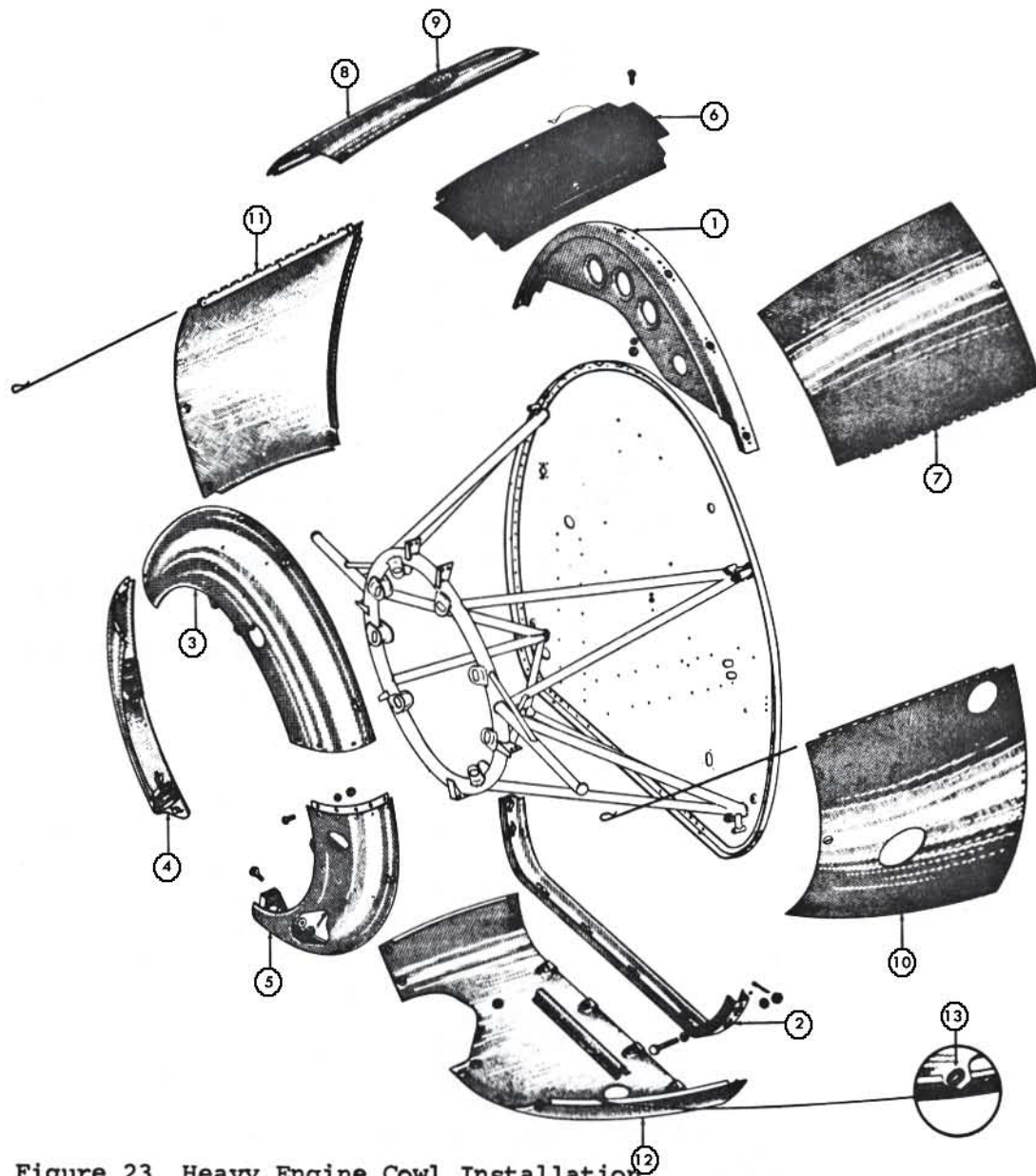


HEAVY ENGINE COWL INSTALLATION, R-670 - R-680



Index **Figure 23 Heavy Engine Cowl Installation**

No.	Part No.	Description	Cond.
	AGE75-2311	Heavy engine cowl set, 6 cowls, R-680 PT-13 & N2S-5	FAA-PMA
	AGA75N1-2301	Heavy engine cowl set, 6 cowls, R-670 PT-17 & N2S-4	FAA-PMA
1	75-2314	Support assy-upper engine cowl,PT-13,PT-17,N2S-4,-5	N-S
2	AG75-2315	Support assy-lower engine cowl,PT-13,PT-17,N2S-4,-5	FAA-PMA
	Attach hdw.	4 ea. AN4-16,4 ea. AN310-4,8 ea. AN960-10, 4 ea. AN380-2-2	F/N
3	75-2422-1	Ring section-engine cowl support attach, R-680, PT-13, N2S-5	N-S
4	75-2422-2	Same as above	N-S
5	75-2422-3	Same as above	N-S
	Attach hdw.	8 ea. AN526-1032-7, 2 ea. AN510-10-7, 12 ea. AN4-5, 10 ea. AN365-1032A, 10 ea. AN310-4, 10 ea. AN960-10, 12 ea. AN960-416, 12 ea. AN380-2-2	F/N

HEAVY ENGINE COWL INSTALLATION, R-670, R-680 continued

Figure 23

Index

No.	Part No.	Description	Cond.
6	75-2308	Walk assy-engine cowl, R-670 PT-17, N2S-4 and R-680 PT-13, N2S-5	N-S
7	Attach hdw. AG75-2423	6 ea. AN526-1032-7, 6 ea. AN865-1032A, 6 ea. AN960-10 Cowl assy-upper side engine lh, R-670, R-680, PT-17, -13 N2S-4 & N2S-5, anodized	F/N FAA-PMA
8	AG75-2423-1	Cowl assy-upper side engine rh, R-670, R-680, PT-17, -13 N2S-4 & N2S-5, anodized	FAA-PMA
9	E75-2310-1	Grommet, for AG75-2423-1 cowl	N-S
10	AG75-2424	Door assy-engine cowl side, lh, R-680 PT-13, N2S-5, anodized	FAA-PMA
10	AGA75N1-2303	Door assy-engine cowl side lh, R-670 PT-17, N2S-4 anodized	FAA-PMA
10	AGB75N1-2304 AN415-19	Door assy. - engine cowl side lh, R-670, PT-17, N2S-4 Pin-hinge for AGA75N1-2303 door	FAA-PMA F/N
11	AG75-2424-1	Door assy-engine cowl side rh, R-670 PT-13, PT-17, N2S-4, -5, anodized	FAA-PMA
	AN415-19	Pin-hinge, AG75-2424 door	F/N
12	AGE75-2309	Cowl assy-bottom engine, R-680, PT-13, N2S-5	FAA-PMA
12	AGA75N1-2304 AN931-7-11	Cowl assy-bottom engine, R-670, PT-17, N2S-4 Grommet-elastic for AGE75-2309 & AGA75N1-2304 cowls, 1 on each	FAA-PMA F/N
	AN931-9-13	Grommet-elastic for AGE75-2309 cowl, 1 required	F/N
	AN931-12-17	Grommet-elastic for AGA75N1-2304 cowl, 1 required	F/N
13	E75-2310-2	Grommet-elastic for AGE75-2309 cowl, 1 required	N-S
13	75-2427	Grommet-elastic for AGA75N1-2304 cowl, 1 required	N-S