

FUSELAGE COWL INSTALLATION continued

Figure 20

Index

No.	Part No.	Description	Cond.
	E75N1-2307	Fabric slip cover, grade "A" fuselage	New
	75-2300-SNW	Bolt, screw, washer & nut kit for installing all fuselage & landing gear fairings	F/N

TAILWHEEL & STABILIZER COWL INSTALLATION

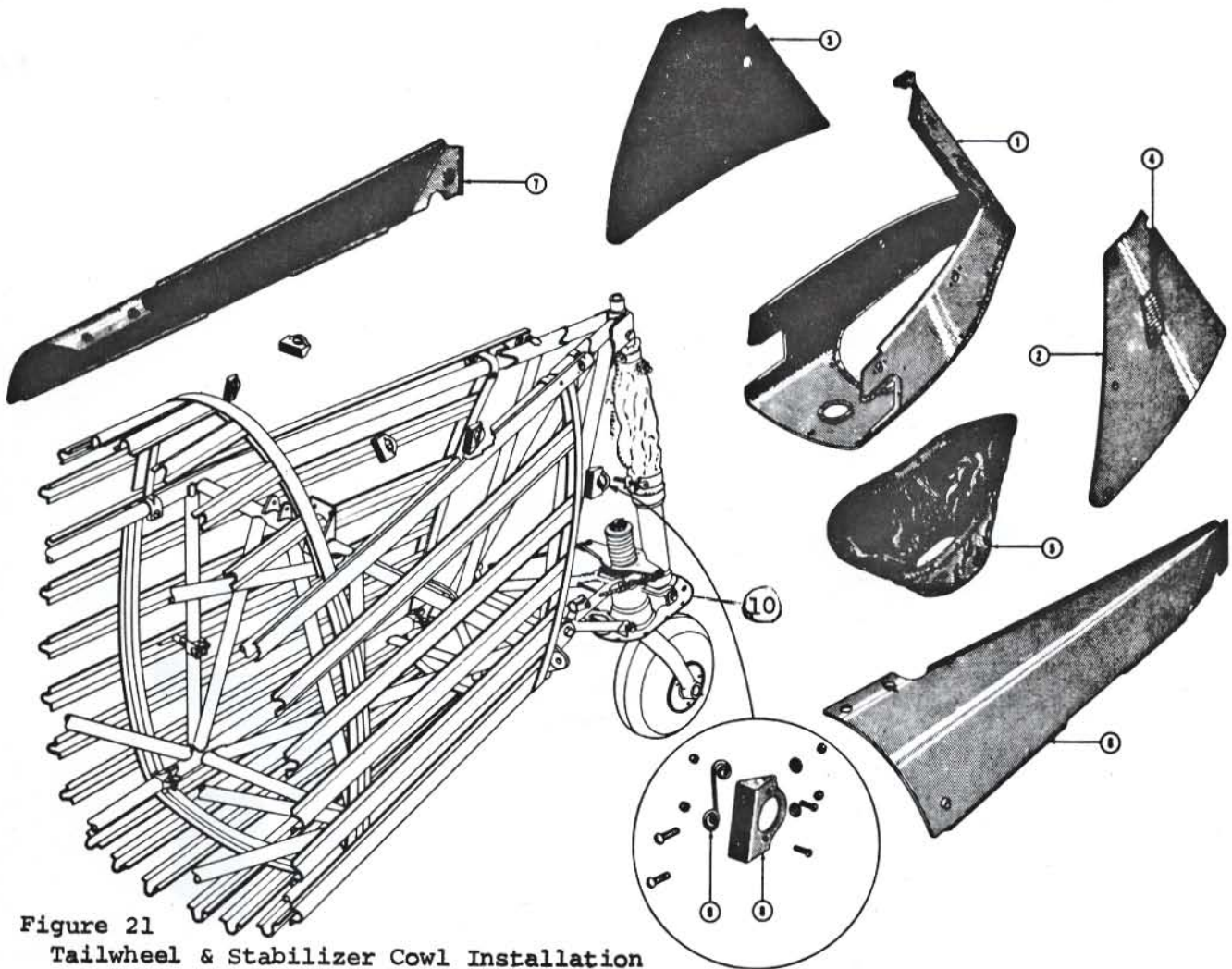


Figure 21
Tailwheel & Stabilizer Cowl Installation

Index

No.	Part No.	Description	Cond.
1	AG75-2347	Cowl assy-tailwheel lower (tail cone)	FAA-PMA
	Attach hdw.	5 ea. AN526-1032-7	F/N
2	AG75-2370	Cowl assy-tailwheel side lh	FAA-PMA
3	AG75-2370-1	Cowl assy-tailwheel side rh	FAA-PMA
	FA6 $\frac{1}{2}$ -45	Replacement dzus for AG75-2370, 2370-1	F/N
	GF6 $\frac{1}{2}$ -250	Replacement grommet for AG75-2370, 2370-1	F/N
	AG75-4513-26	Special washer, use with GF6 $\frac{1}{2}$ -250 grommet	FAA-PMA
	S6-425	Special dzus spring for AG75-2347	F/N
4	AGA75N1-2701	Instruction plate-tailwheel, for AG75-2370 cowl	FAA-PMA
5	75-2371-5	Boot assy-10" tailwheel	N-P

TAILWHEEL & STABILIZER COWL INSTALLATION continued

Figure 21

Index

No.	Part No.	Description	Cond.
	Attach hdw.	16 ea. AN520-10-7, 16 ea. AN365-1032A, 32 ea. AN960-10	F/N
10	75-2349-1	Bracket assy-tailwheel boot lh	N-P
10	75-2349-2	Bracket assy-tailwheel boot rh	N-P
6	AG75-2372	Cowl assy-stabilizer to fin, lh, anodized	FAA-PMA
7	AG75-2372-1	Cowl assy-stabilizer to fin, rh, anodized	FAA-PMA
8	AG75-2416	Dzus bracket assy-cowl fastener support, 5 required	FAA-PMA
9	S6-425	Spring-dzus, AG75-2416 bracket, 5 required	F/N
	Attach hdw.	S6-425 10 ea. AN505-4-6, 10 ea. AN365B-440	F/N
	Attach hdw.	AG75-2416 10 ea. AN520-10-8, 10 ea. AN365-1032A, 12 ea. AN960-10	F/N

FUSELAGE COWL INSTALLATION - LANDING GEAR

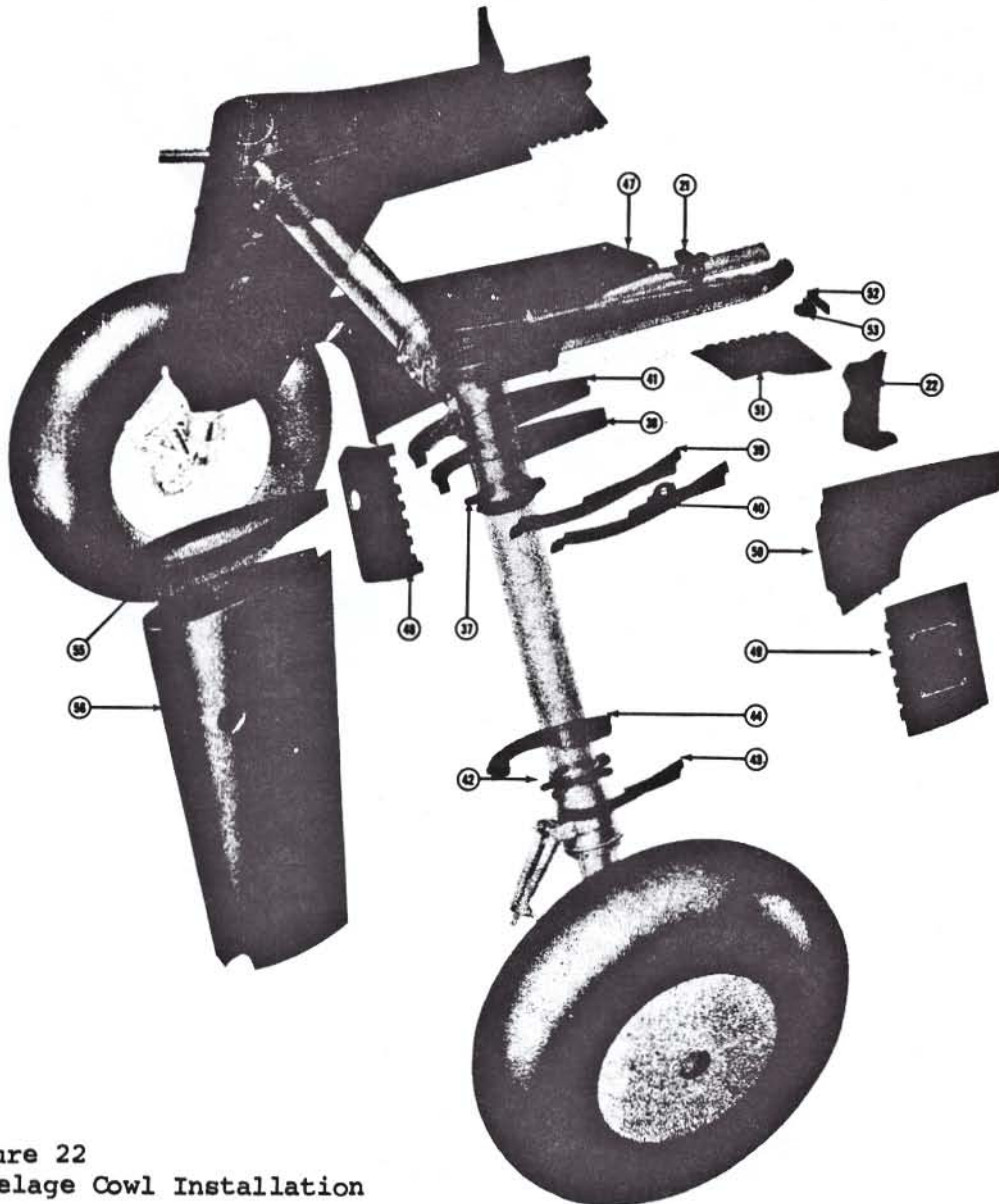


Figure 22
Fuselage Cowl Installation