

FUSELAGE FAIRING CLAMPS - MID-SECTION continued

Figure 18

Index

No.	Part No.	Description	Cond.
35	73-2331-3	Clamp-left front fuselage former attach	N-P
36	73-2331-4	Clamp-right front fuselage former attach	N-P
	Attach hdw.	2 ea. AN520-10-8, 2 ea. AN365-1032A, 2 ea. AN960-10	F/N
37	75-2321-15	Strip-fuselage fairing, 2 required	N-P
43	73-2357-2	Strip-fuselage cover former lh	N-P
43	73-2357-3	Strip-fuselage cover former rh	N-P

FUSELAGE FAIRING CLAMPS - REAR

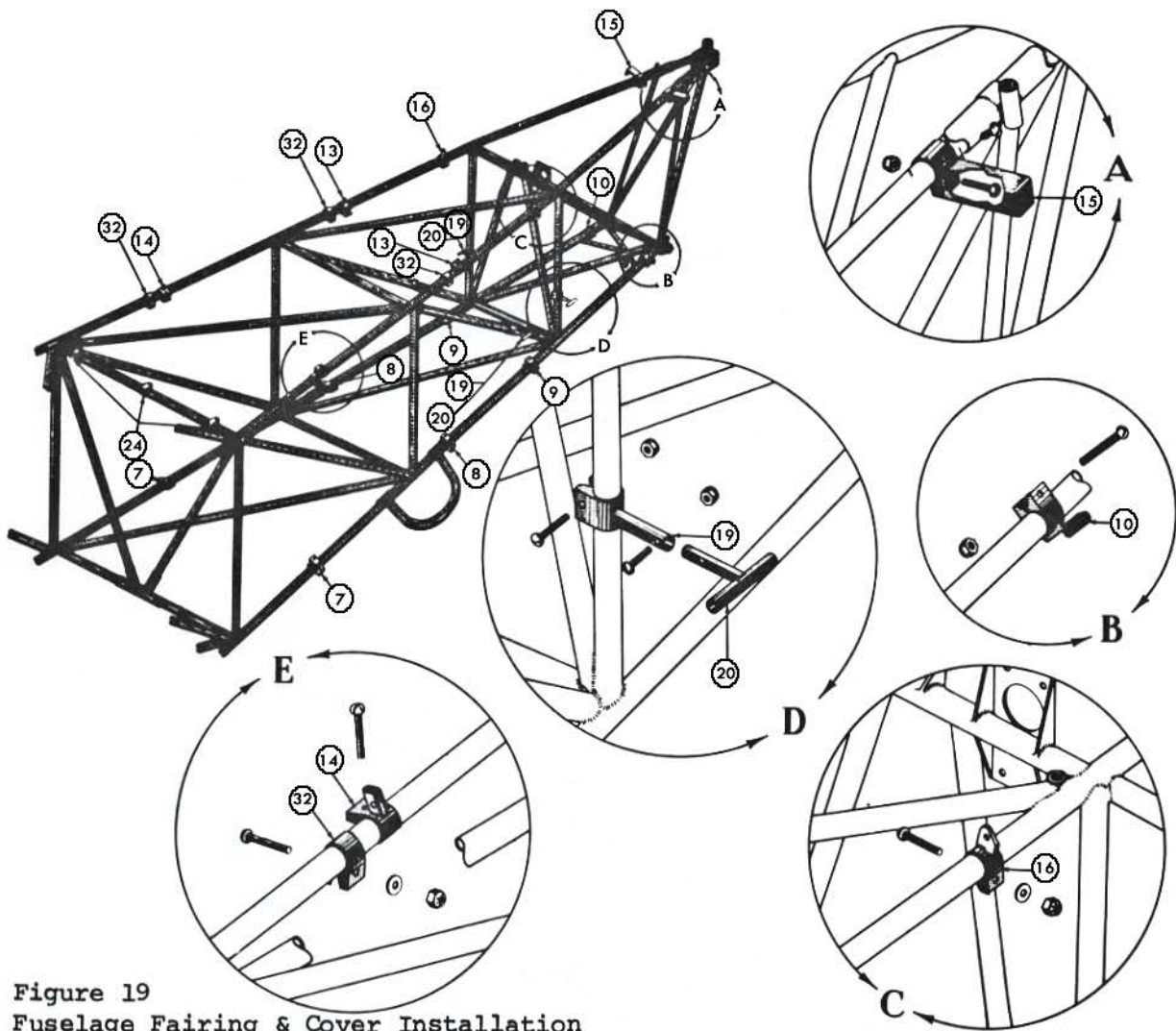


Figure 19

Index Fuselage Fairing & Cover Installation

No.	Part No.	Description	Cond.
7	AG75-2339-6	Clamp assy-fairing arch support lower, 2 required	FAA-PMA
8	AG75-2339-7	Clamp assy-fairing arch support lower, 2 required	FAA-PMA
9	AG75-2339-8	Clamp assy-fairing arch support lower, 2 required	FAA-PMA
	Attach hdw.	6 ea. AN520-10-22, 6 ea. AN365-1032A	F/N
10	AG75-2348	Clamp assy-rear fairing arch support lower, 2 required	FAA-PMA
	Attach hdw.	2 ea. AN520-10-24, 2 ea. AN365-1032A	F/N
13	AG75-2385-1	Clamp assy-top fairing arch support, 2 required	FAA-PMA
14	AG75-2385-2	Clamp assy-top fairing arch support, 2 required	FAA-PMA
	Attach hdw.	4 ea. AN520-10-22, 4 ea. AN365-1032A	F/N

FUSELAGE FAIRING CLAMPS - REAR continued

Figure 19

Index

No.	Part No.	Description	Cond.
15	AG75-2386 Attach hdw.	Clamp assy-fairing channel rear support, 2 required 2 ea. AN520-10-22, 2 ea. AN365-1032A, 2 ea. AN530-6-6	FAA-PMA F/N
16	AG75-2388 Attach hdw.	Clamp assy-rear top fairing arch support, 2 required 2 ea. AN520-10-22, 2 ea. AN365-1032A, 2 ea. AN960-10	FAA-PMA F/N
19	AG75-2460 Attach hdw.	Clamp assy-side fairing strip support, 4 required 4 ea. AN520-10-18, 4 ea. AN365-1032A	FAA-PMA F/N
20	AG75-2461 Attach hdw. 75-2300-CK	Support assy-side fairing strip, 4 required 4 ea. AN520-10-14, 4 ea. AN365-1032A Clamp kit-to attach AG75-2322, 2322-1, AG75-2323 and 75-2324 fairings to fuselage	FAA-PMA F/N

FUSELAGE COWL INSTALLATION

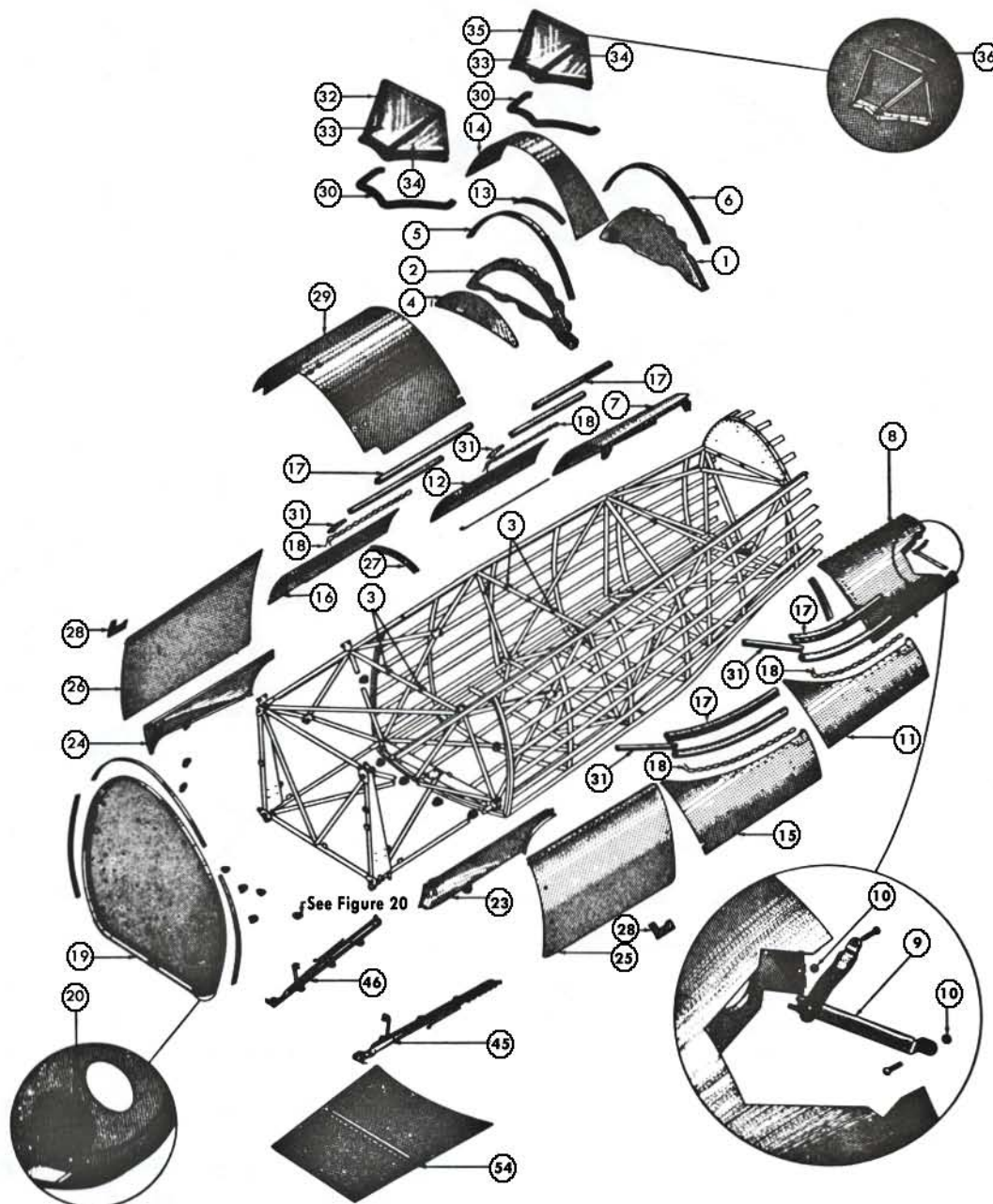


Figure 20 Fuselage Cowl Installation