

FUSELAGE FAIRING CLAMPS - MID-SECTION

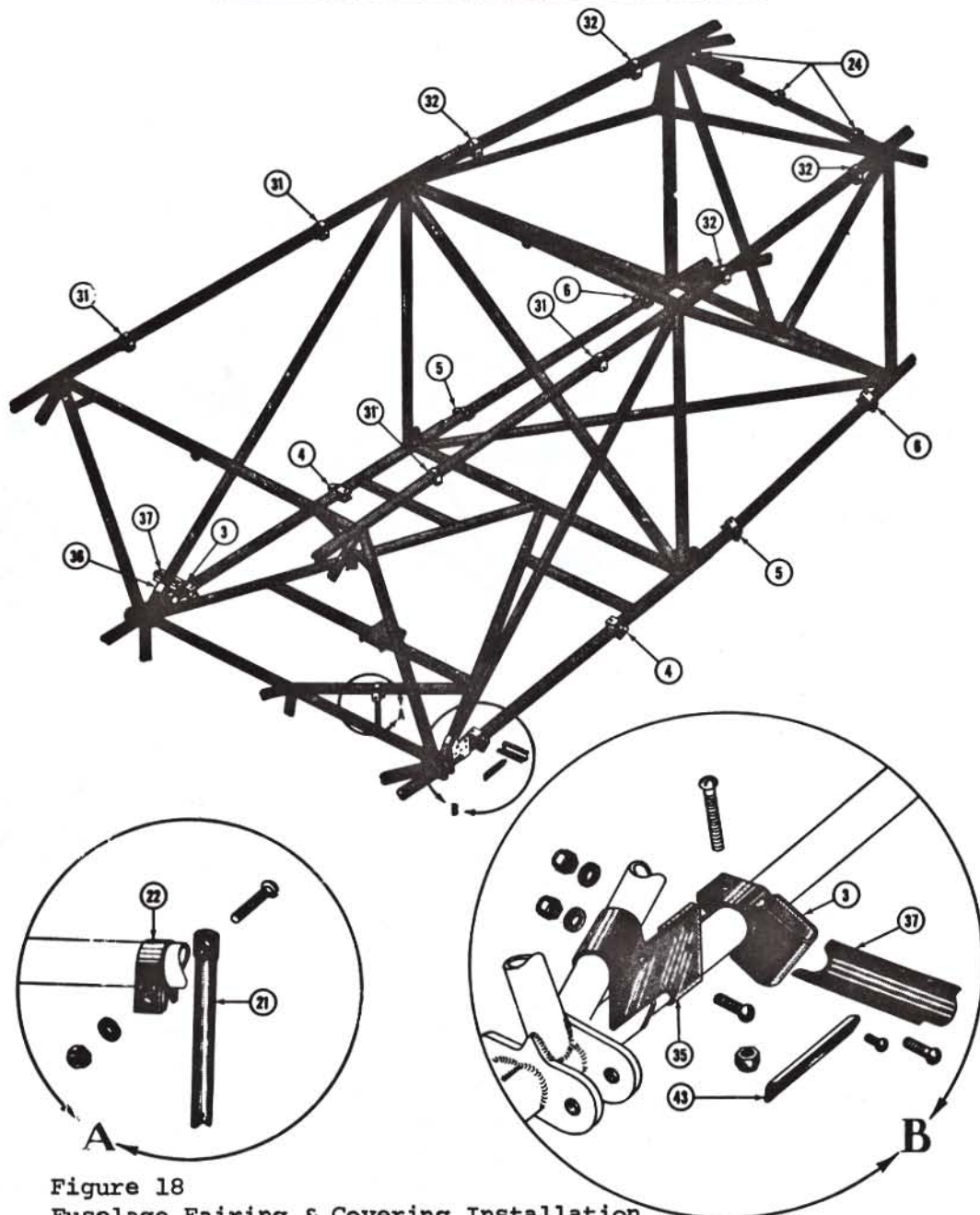


Figure 18
Fuselage Fairing & Covering Installation

Index No.	Part No.	Description	Cond.
3	AG75-2339-2	Clamp assy-fairing arch support, lower, 2 required	FAA-PMA
4	AG75-2339-3	Clamp assy-fairing arch support lower, 2 required	FAA-PMA
	Attach hdw.	4 ea. AN520-10-24, 4 ea. AN365-1032A	F/N
5	AG75-2339-4	Clamp assy-fairing arch support lower, 2 required	FAA-PMA
6	AG75-2339-5	Clamp assy-fairing arch support lower, 2 required	FAA-PMA
	Attach hdw.	4 ea. AN520-10-22, 4 ea. AN365-1032A	F/N
21	75-2420	Brace-#3 arch, 1 required	N-S
22	S-106-D51	Clamp-3/4" dia. tube, 1 required	N-P
	Attach hdw.	1 ea. AN520-10-24, 1 ea. AN365-1032A	F/N
24	S-101-D10	Tube clip, 3 required	New
	Attach hdw.	3 ea. AN520-10-12, 3 ea. AN365-1032A, 3 ea. AN960-10	F/N
32	S-107-D51	Clamp-7/8" dia. tube, 8 required	N-P
	Attach hdw.	8 ea. AN520-10-24, 8 ea. AN365-1032A, 8 ea. AN960-10	F/N

FUSELAGE FAIRING CLAMPS - MID-SECTION continued

Figure 18

Index

No.	Part No.	Description	Cond.
35	73-2331-3	Clamp-left front fuselage former attach	N-P
36	73-2331-4	Clamp-right front fuselage former attach	N-P
	Attach hdw.	2 ea. AN520-10-8, 2 ea. AN365-1032A, 2 ea. AN960-10	F/N
37	75-2321-15	Strip-fuselage fairing, 2 required	N-P
43	73-2357-2	Strip-fuselage cover former lh	N-P
43	73-2357-3	Strip-fuselage cover former rh	N-P

FUSELAGE FAIRING CLAMPS - REAR

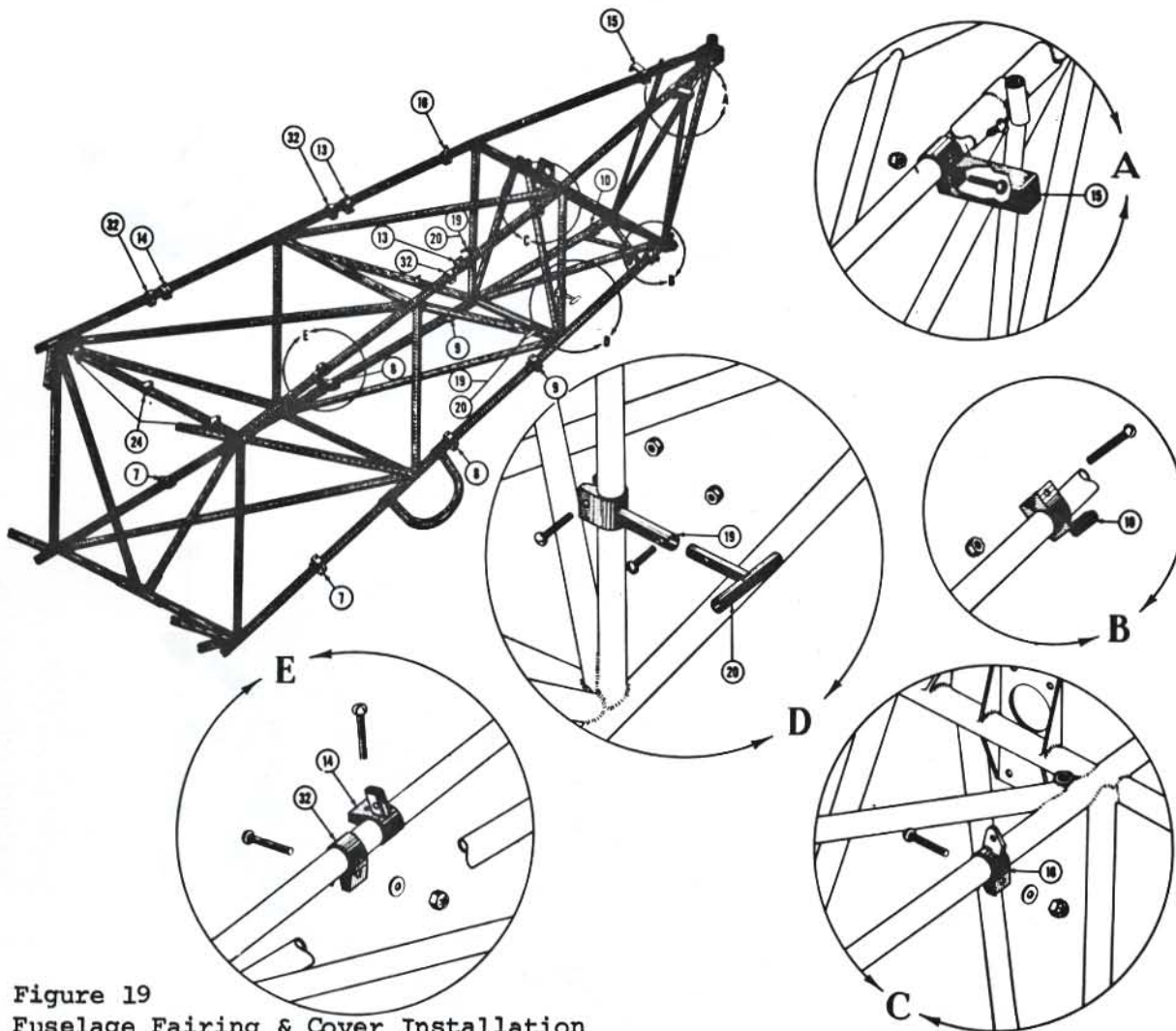


Figure 19

Index Fuselage Fairing & Cover Installation

No.	Part No.	Description	Cond.
7	AG75-2339-6	Clamp assy-fairing arch support lower, 2 required	FAA-PMA
8	AG75-2339-7	Clamp assy-fairing arch support lower, 2 required	FAA-PMA
9	AG75-2339-8	Clamp assy-fairing arch support lower, 2 required	FAA-PMA
	Attach hdw.	6 ea. AN520-10-22, 6 ea. AN365-1032A	F/N
10	AG75-2348	Clamp assy-rear fairing arch support lower, 2 required	FAA-PMA
	Attach hdw.	2 ea. AN520-10-24, 2 ea. AN365-1032A	F/N
13	AG75-2385-1	Clamp assy-top fairing arch support, 2 required	FAA-PMA
14	AG75-2385-2	Clamp assy-top fairing arch support, 2 required	FAA-PMA
	Attach hdw.	4 ea. AN520-10-22, 4 ea. AN365-1032A	F/N